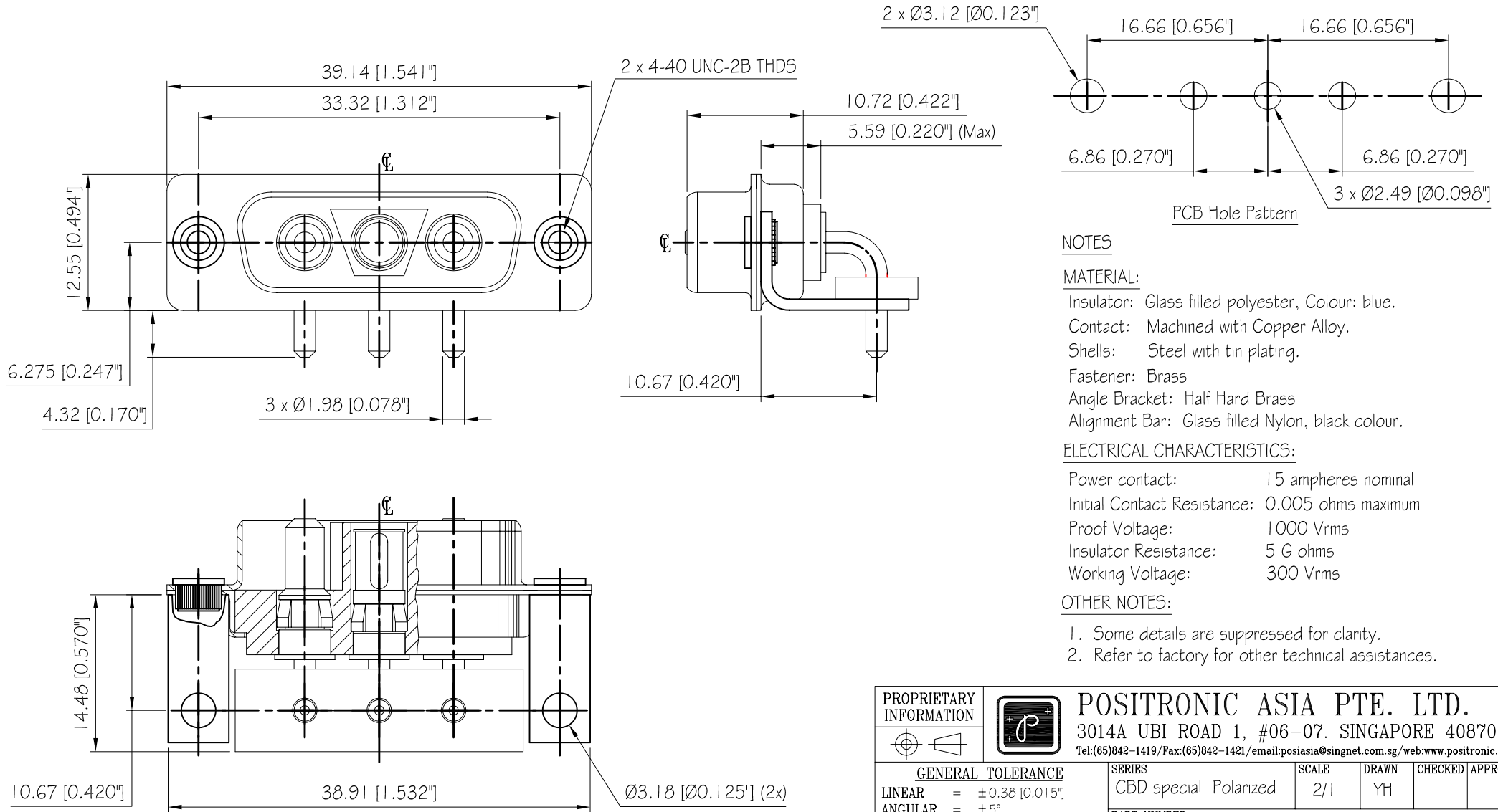


THIS DRAWING CONTAINS INFORMATION PROPRIETARY TO POSITRONIC ASIA PTE. LTD. ANY REPRODUCTION, DISCLOSURE OR USE OF THIS DRAWING IS EXPRESSLY PROHIBITED EXCEPT AS POSITRONIC ASIA PTE. LTD. MAY OTHERWISE AGREE IN WRITING.

DATE	REV	REVISION RECORD	DRN	CKD	APP



NOTES

MATERIAL:

- Insulator: Glass filled polyester, Colour: blue.
- Contact: Machined with Copper Alloy.
- Shells: Steel with tin plating.
- Fastener: Brass
- Angle Bracket: Half Hard Brass
- Alignment Bar: Glass filled Nylon, black colour.

ELECTRICAL CHARACTERISTICS:

- Power contact: 15 amperes nominal
- Initial Contact Resistance: 0.005 ohms maximum
- Proof Voltage: 1000 Vrms
- Insulator Resistance: 5 G ohms
- Working Voltage: 300 Vrms

OTHER NOTES:

- Some details are suppressed for clarity.
- Refer to factory for other technical assistances.

PROPRIETARY INFORMATION 	POSITRONIC ASIA PTE. LTD. 3014A UBI ROAD 1, #06-07. SINGAPORE 408703. Tel:(65)842-1419/Fax:(65)842-1421/email:posiasia@singnet.com.sg/web:www.positronic.com				
	GENERAL TOLERANCE LINEAR = ±0.38 [0.015"] ANGULAR = ±5° ROUGHNESS = 1.6µm [63µ"] Ra	SERIES CBD special Polarized	SCALE 2/1	DRAWN YH	CHECKED YH
UNLESS OTHERWISE SPECIFIED ALL DIMENSIONS ARE IN MILLIMETERS [INCHES] REMOVE ALL SHARP EDGES GD&T AS PER ASME Y14.5M-1994 AND ISO 1101 IF IN DOUBT, PLEASE ASK!	PART NUMBER CBD3WK3M75R700X				
DATE 15/1/2002	DRAWING NUMBER ASK 20145			REV. NC	