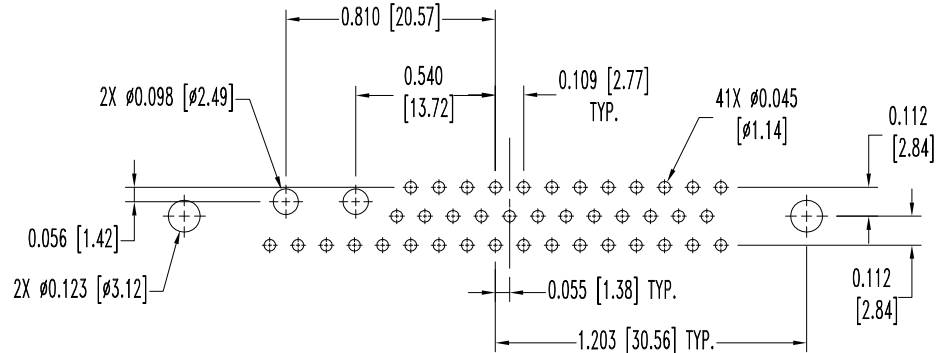
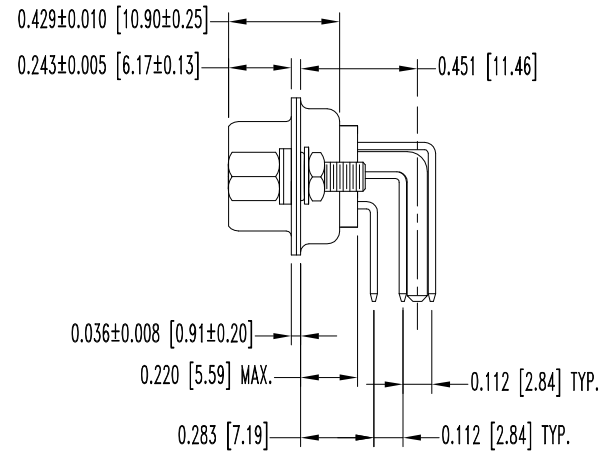
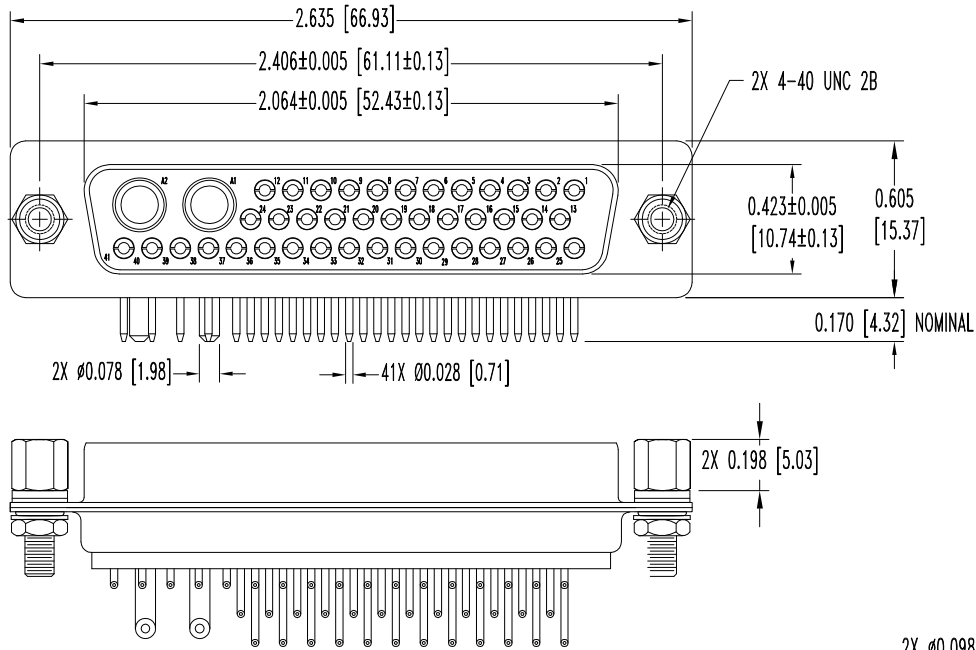


THIS DRAWING CONTAINS INFORMATION PROPRIETARY TO POSITRONIC AND ITS SUBSIDIARIES. POSITRONIC BELIEVES THE DATA ON THIS DRAWING TO BE RELIABLE. SINCE THE TECHNICAL INFORMATION IS GIVEN FREE OF CHARGE, THE USER EMPLOYS SUCH INFORMATION AT HIS OWN DISCRETION AND RISK. POSITRONIC ASSUMES NO RESPONSIBILITY FOR RESULTS OBTAINED OR DAMAGES INCURRED FROM USE OF SUCH INFORMATION IN WHOLE OR IN PART.

DATE	REV	REVISION RECORD	APP	DR	CK
4-9-08	NC	ECO 29238	RCW	YK	COLE
3-10-10	A	ECO 32222	COLE	ME	COLE



CONTACT HOLE PATTERN

NOTES:

1. MATERIALS AND FINISHES:

- INSULATOR: GLASS FILLED POLYESTER PER ASTM D5927, UL 94V-0, BLUE COLOR.
- SIGNAL CONTACTS: PRECISION MACHINED HIGH TENSILE PHOSPHOR BRONZE, GOLD FLASH OVER NICKEL FINISH.
- POWER CONTACTS: PRECISION MACHINED HIGH CONDUCTIVITY COPPER ALLOY, GOLD FLASH OVER NICKEL FINISH.
- SHELLS: STEEL, ZINC PLATE WITH CHROMATE SEAL.
- JACKSCREWS: STEEL, ZINC PLATE WITH CHROMATE SEAL.
- WASHERS: STAINLESS STEEL, PASSIVATED.
- LOCKWASHER: BRONZE, ZINC PLATE WITH CHROMATE SEAL.
- HEX NUTS: BRASS, ZINC PLATE WITH CHROMATE SEAL.

2. DETAILED PRODUCT, ELECTRICAL, AND MECHANICAL

INFORMATION IS AVAILABLE IN THE LATEST CBD PRODUCT PUBLICATION. VISIT CONNECTPOSITRONIC.COM/PRODUCTS/1/STANDARD DENSITY COMBO -D/ OR CONNECTPOSITRONIC.COM

3. DIMENSIONS ARE IN INCHES [MILLIMETERS].

	POSITRONIC INDUSTRIES INC. www.connectpositronic.com		FSCM 28198
	DECIMAL TOL. ± 0.015 [0.38]	CBD SERIES	SCALE N.T.S.
	TITLE CBD43W2F5500T20		
ANGULAR TOL. ± 5°	DATE 4-9-08	DRAWING NUMBER SK9356	REV. A
		APPROVED BY R WILLIAMS	