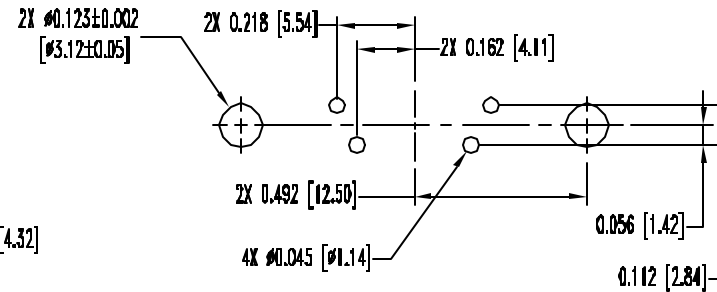
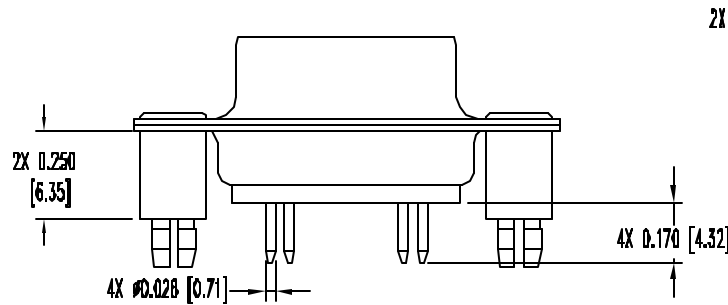
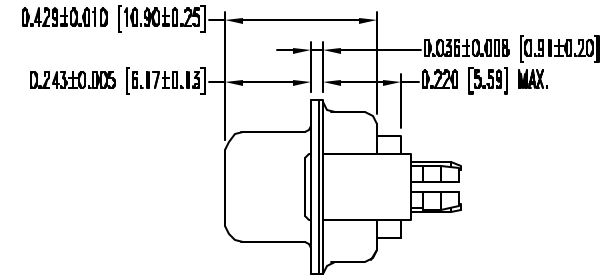
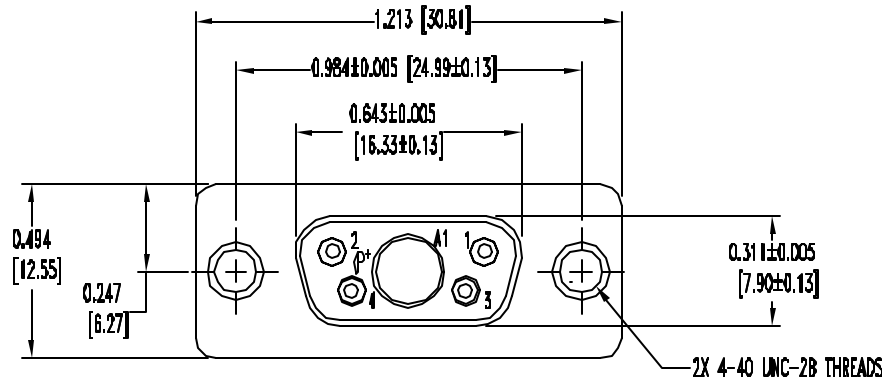


POSITRONIC INDUSTRIES BELIEVES THE DATA ON THIS DRAWING TO BE RELIABLE, SINCE THE TECHNICAL INFORMATION IS GIVEN FREE OF CHARGE, THE USER EMPLOYS SUCH INFORMATION AT HIS OWN DISCRETION AND RISK. POSITRONIC INDUSTRIES ASSUMES NO RESPONSIBILITY FOR RESULTS OBTAINED OR DAMAGES INCURRED FROM USE OF SUCH INFORMATION IN WHOLE OR IN PART.

SK4061

DATE	REV	REVISION RECORD	APP	DR	CK
11-26-01	NC	ECO 18671		YK	



### CONTACT HOLE PATTERN

#### NOTES:

##### 1. MATERIALS AND FINISHES:

INSULATOR: GLASS FILLED POLYESTER PER MIL-M-24519

UL 94V-0, COLOR: BLUE

SIGNAL CONTACTS: PRECISION MACHINED HIGH TENSILE PHOSPHOR BRONZE.

GOLD FLASH OVER NICKEL PLATE.

SHELLS: STEEL, TIN PLATE.

##### 2. ELECTRICAL CHARACTERISTICS:

SIGNAL CONTACTS:

CONTACT CURRENT RATING: 7.5 AMPERES NOMINAL.

INITIAL CONTACT RESISTANCE: 0.008 OHMS MAXIMUM.

CONNECTOR:

INSULATOR RESISTANCE: 5 G OHMS.

WORKING VOLTAGE: 300 V r.m.s.

##### 3. TEMPERATURE RANGE: -55°C TO +125°C.

##### 4. DIMENSIONS ARE IN INCHES [MILLIMETERS].

 <b>POSITRONIC INDUSTRIES INC.</b> www.connectpositronic.com		SCALE	DRAWN BY
		CBD SERIES	Y. KELLYBREW
DECIMAL TOL.	TITLE	SCALE	APPROVED BY
± 0.015 [0.38]	CBD5W1F3S600X	N.T.S.	
WF # 4192	DATE	DRAWING NUMBER	REV.
ANGULAR TOL.	11-26-01	SK4061	NC
± 5°			