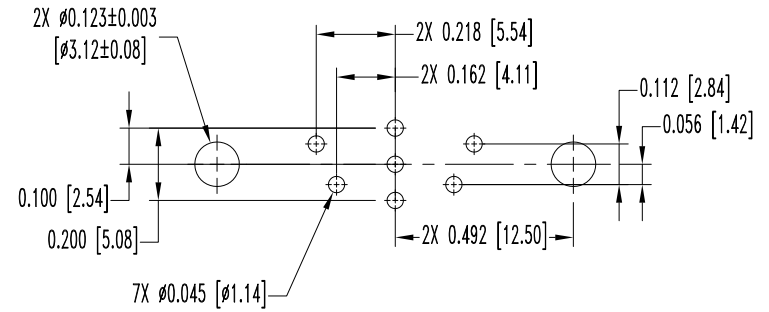
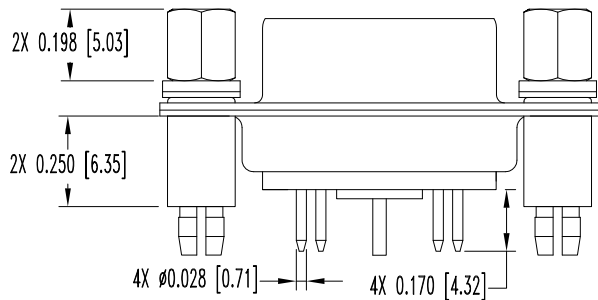
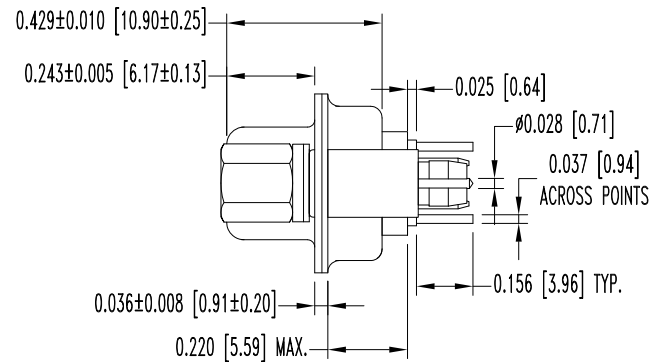
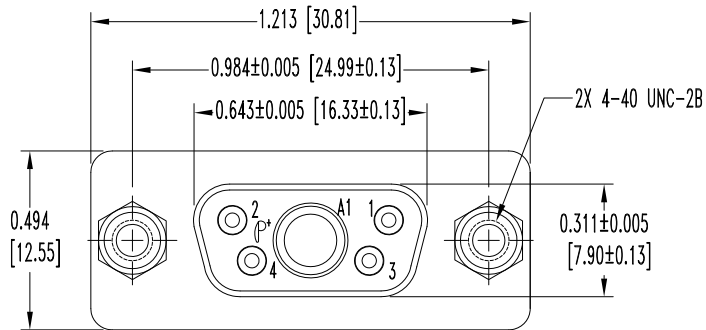


THIS DRAWING CONTAINS INFORMATION PROPRIETARY TO POSITRONIC AND ITS SUBSIDIARIES. POSITRONIC BELIEVES THE DATA ON THIS DRAWING TO BE RELIABLE, SINCE THE TECHNICAL INFORMATION IS GIVEN FREE OF CHARGE, THE USER EMPLOYS SUCH INFORMATION AT HIS OWN DISCRETION AND RISK. POSITRONIC ASSUMES NO RESPONSIBILITY FOR RESULTS OBTAINED OR DAMAGES INCURRED FROM USE OF SUCH INFORMATION IN WHOLE OR IN PART.


DATE	REV	REVISION RECORD	APP	DR	CK
9-15-10	NC	ECO 32997	COLE	ME	COLE



CONTACT HOLE PATTERN

NOTES:

- MATERIALS AND FINISHES:
 INSULATOR: GLASS FILLED POLYESTER PER ASTM D5927 UL 94V-0, COLOR BLUE.
 CONTACTS: PRECISION MACHINED COPPER ALLOY, GOLD FLASH OVER NICKEL PLATE.
 SHELLS: STEEL, ZINC PLATE WITH CHROMATE SEAL.
 JACKSCREWS: STEEL, ZINC PLATE WITH CHROMATE SEAL.
 PUSH-ON FASTENERS: PHOSPHOR BRONZE WITH TIN PLATE.
 WASHERS: PASSIVATED STAINLESS STEEL.
- DETAILED PRODUCT, ELECTRICAL, AND MECHANICAL INFORMATION IS AVAILABLE IN THE LATEST STANDARD DENSITY COMBO-D PRODUCT PUBLICATION. VISIT CONNECTPOSITRONIC.COM/PRODUCTS/1/STANDARD DENSITY COMBO-D OR CONNECTPOSITRONIC.COM.
- DIMENSIONS ARE IN INCHES [MILLIMETERS].

 POSITRONIC INDUSTRIES INC. www.connectpositronic.com		FSCM 28198	
DECIMAL TOL. ± 0.015 [0.38]	CBD SERIES	SCALE N.T.S.	DRAWN BY ME
TITLE CBD5W1F65S60T20		APPROVED BY COLE	
ANGULAR TOL. ± 5°	DATE 9-15-10	DRAWING NUMBER SK11801	REV. NC