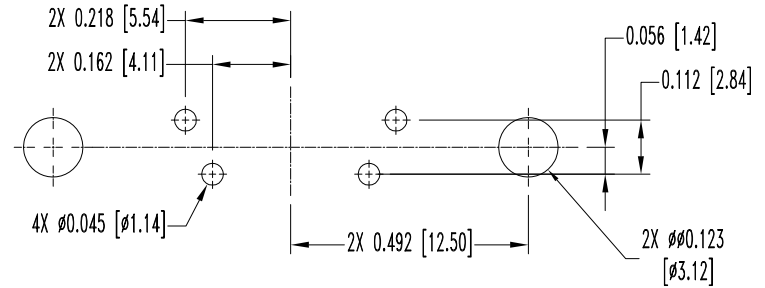
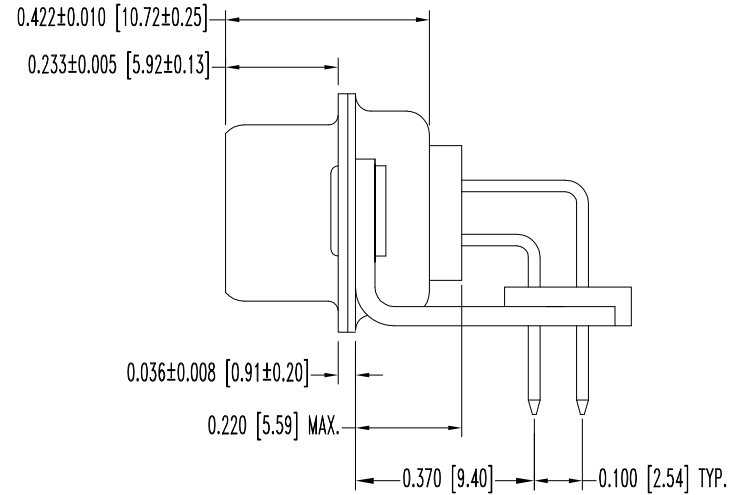
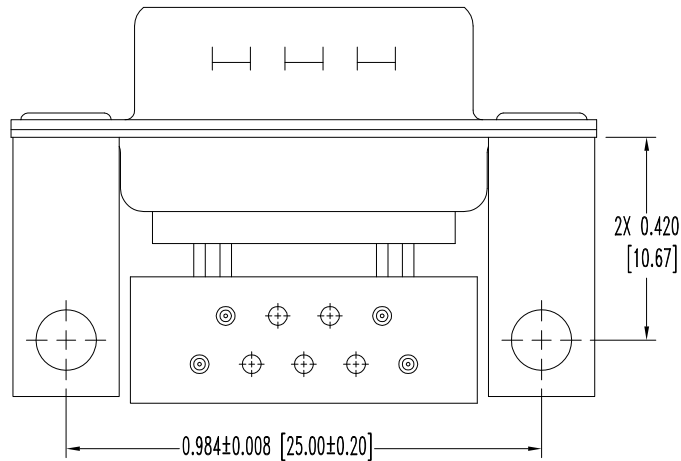
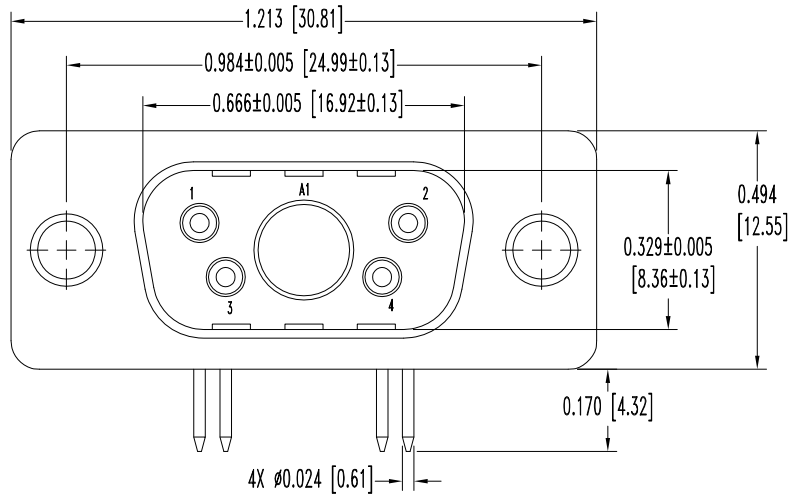


POSITRONIC INDUSTRIES BELIEVES THE DATA ON THIS DRAWING TO BE RELIABLE. SINCE THE TECHNICAL INFORMATION IS GIVEN FREE OF CHARGE, THE USER EMPLOYS SUCH INFORMATION AT HIS OWN DISCRETION AND RISK. POSITRONIC INDUSTRIES ASSUMES NO RESPONSIBILITY FOR RESULTS OBTAINED OR DAMAGES INCURRED FROM USE OF SUCH INFORMATION IN WHOLE OR IN PART.

DATE	REV	REVISION RECORD	APP	DR	CK
6-18-09	NC	ECO 31209	TK	ME	TK



CONTACT HOLE PATTERN

NOTES:

- MATERIALS AND FINISHES:
 INSULATOR: GLASS FILLED POLYESTER, PER MIL-M-24519, UL94V-0, BLUE COLOR.
 CONTACTS: PRECISION MACHINED COPPER ALLOY, GOLD FLASH OVER NICKEL PLATE.
 SHELLS: STEEL, TIN PLATE AND DIMPLED.
 MOUNTING BRACKETS: STEEL, TIN PLATE.
- ELECTRICAL CHARACTERISTICS:
 CONTACT CURRENT RATING: 7.5 AMPERES, NOMINAL.
 INITIAL CONTACT RESISTANCE: 0.008 OHMS MAXIMUM.
 INSULATOR RESISTANCE: 5 G OHMS.
 WORKING VOLTAGE: 300 r.m.s.
- TEMPERATURE RANGE: -55°C TO +125°C.
- DIMENSIONS ARE IN INCHES [MILLIMETERS].

		POSITRONIC INDUSTRIES INC. SPRINGFIELD, MISSOURI 65801	
		DECIMAL TOL. ± 0.015 [0.38]	TITLE CBD SERIES
DATE 6-18-09		DRAWING NUMBER SK10854	
ANGULAR TOL. ± 5°		REV. NC	