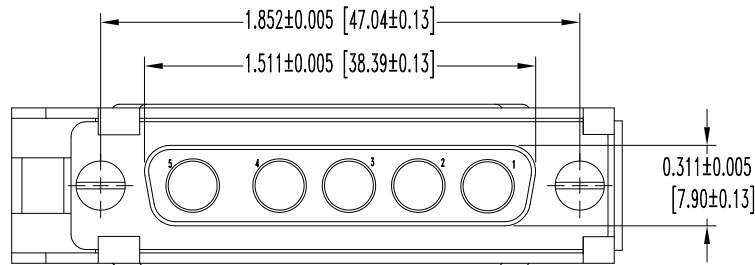
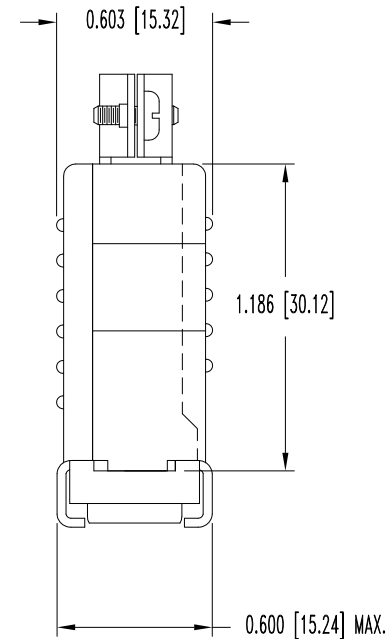
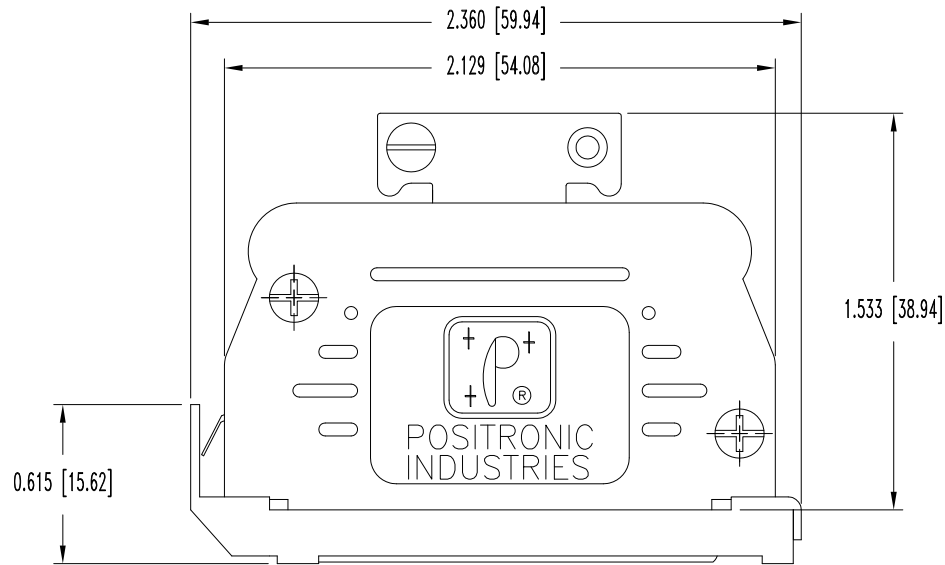


SK9245

THIS DRAWING CONTAINS INFORMATION PROPRIETARY TO POSITRONIC AND ITS SUBSIDIARIES. POSITRONIC BELIEVES THE DATA ON THIS DRAWING TO BE RELIABLE. SINCE THE TECHNICAL INFORMATION IS GIVEN FREE OF CHARGE, THE USER EMPLOYS SUCH INFORMATION AT HIS OWN DISCRETION AND RISK. POSITRONIC ASSUMES NO RESPONSIBILITY FOR RESULTS OBTAINED OR DAMAGES INCURRED FROM USE OF SUCH INFORMATION IN WHOLE OR IN PART.

| DATE | REV | REVISION RECORD | APP | DR | CK |
|---------|-----|-----------------|-----|----|----|
| 2-19-08 | NC | ECO 29027 | RCW | YK | TK |
| | | | | | |
| | | | | | |



NOTES:

- MATERIALS AND FINISHES:
 INSULATOR: GLASS FILLED POLYESTER PER MIL-M-24519, UL 94V-0, BLUE COLOR.
 SHELLS: STEEL, ZINC PLATE WITH CHROMATE SEAL.
 HOOD AND COVER: GLASS FILLED NYLON, 94V-0, BLACK.
 LOCK LEVER: STEEL, NICKEL PLATE.
 CABLE CLAMPS: STEEL, NICKEL PLATE.
 CABLE CLAMP SCREWS: BRASS, ZINC PLATE WITH CHROMATE SEAL.
 COVER SCREWS: STEEL, ZINC PLATE WITH CHROMATE SEAL.
 MOUNTING SCREWS: STEEL, ZINC PLATE WITH CHROMATE SEAL.
- ELECTRICAL CHARACTERISTICS:
 INSULATOR RESISTANCE: 5 G OHMS.
 WORKING VOLTAGE: 300 V r.m.s.
- TEMPERATURE RANGE: -55°C TO +125°C.
- DIMENSIONS ARE IN INCHES [MILLIMETERS].

| | | | |
|---|--|--------------------------|-----------------|
|  | POSITRONIC INDUSTRIES INC. www.connectpositronic.com | | FSCM 28198 |
| | DECIMAL TOL. ± 0.015 [0.38] | CBD SERIES | SCALE N.T.S. |
| | TITLE CBD5W5F00JVLO | | |
| ANGULAR TOL. ± 5° | DATE 2-19-08 | DRAWING NUMBER SK9245 | REV. NC |