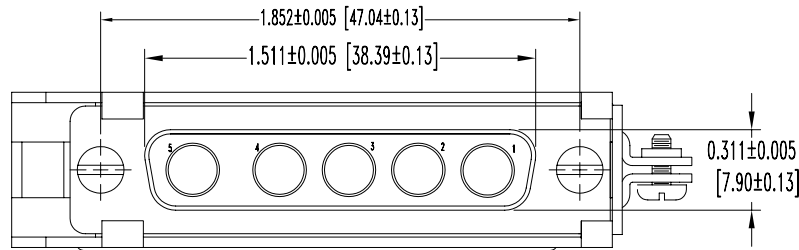
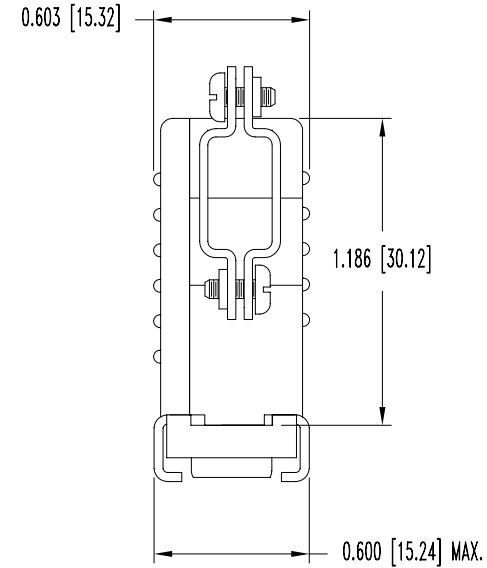
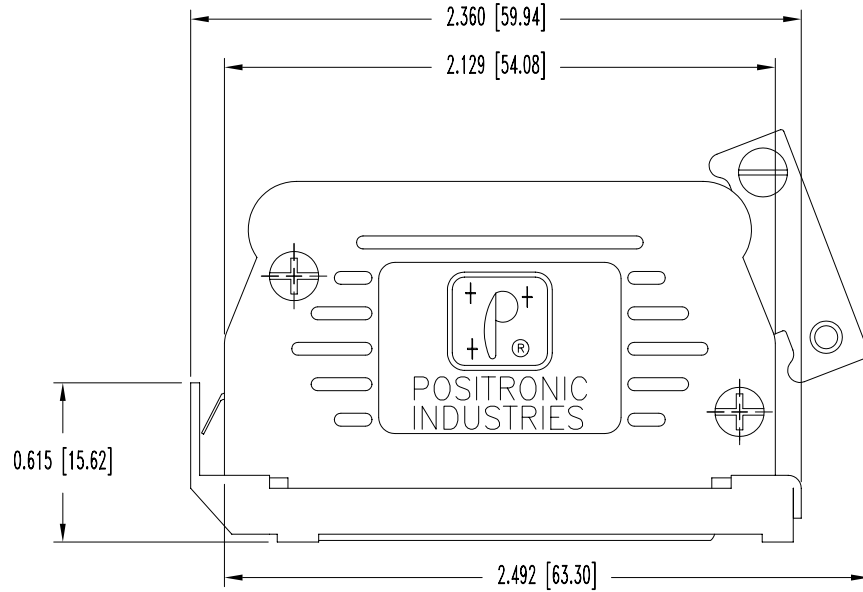


POSITRONIC INDUSTRIES BELIEVES THE DATA ON THIS DRAWING TO BE RELIABLE. SINCE THE TECHNICAL INFORMATION IS GIVEN FREE OF CHARGE, THE USER EMPLOYS SUCH INFORMATION AT HIS OWN DISCRETION AND RISK. POSITRONIC INDUSTRIES ASSUMES NO RESPONSIBILITY FOR RESULTS OBTAINED OR DAMAGES INCURRED FROM USE OF SUCH INFORMATION IN WHOLE OR IN PART.

| DATE | REV | REVISION RECORD | APP | DR | CK |
|---------|-----|-----------------|-----|----|----|
| 6-27-07 | NC | ECO 28096 | | YK | |
| | | | | | |
| | | | | | |



NOTES:

- MATERIAL & FINISHES:
 INSULATOR: GLASS FILLED POLYESTER PER MIL-M-24519 UL94V-0, BLUE COLOR.
 SHELLS: STEEL, ZINC PLATE WITH CHROMATE SEAL.
 HOOD: GLASS FILLED NYLON, 94V-0, BLACK.
 CABLE CLAMPS: STEEL, NICKEL PLATE.
 CABLE CLAMP SCREWS: BRASS, ZINC PLATE WITH CHROMATE SEAL.
 LOCK LEVER: STEEL, NICKEL PLATE.
 SCREWS: STEEL, ZINC PLATE WITH CHROMATE SEAL.
- ELECTRICAL CHARACTERISTICS:
 INSULATOR RESISTANCE: 5 G OHMS.
 WORKING VOLTAGE: 300 V r.m.s.
- TEMPERATURE RANGE: -55°C TO +125°C.
- DIMENSIONS ARE IN INCHES [MILLIMETERS].

| | | | |
|---|--|--------------------------|-----------------|
|  | POSITRONIC INDUSTRIES INC. www.connectpositronic.com | | FSCM 28198 |
| | DECIMAL TOL. ± 0.015 [0.38] | TITLE CBD SERIES | SCALE N.T.S. |
| ANGULAR TOL. ± 5° | DATE 6-27-07 | DRAWING NUMBER SK8686 | REV. NC |