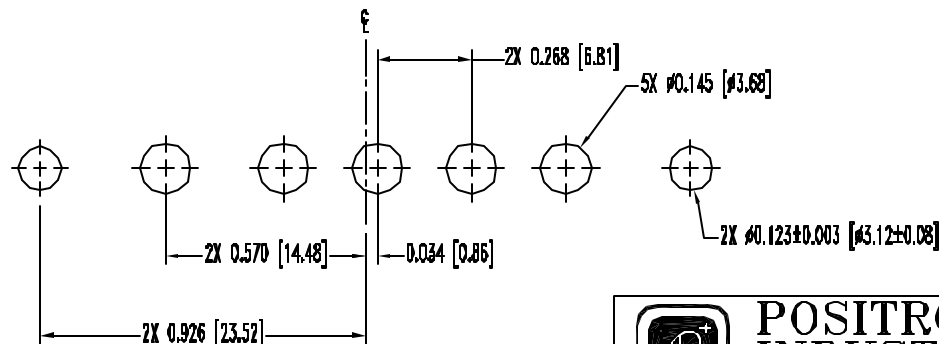
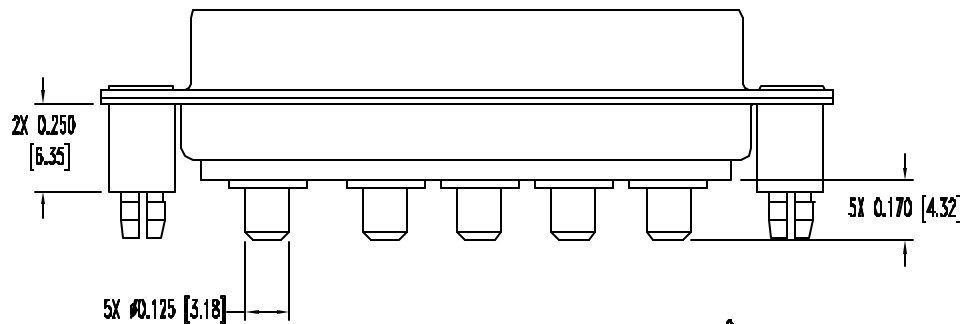
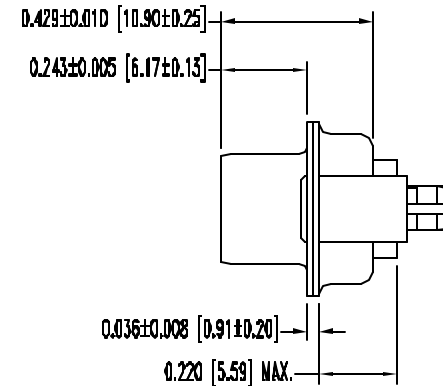
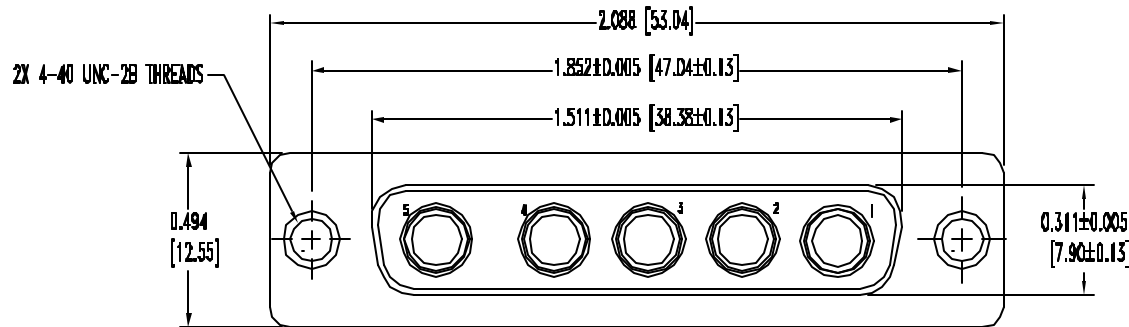


POSITRONIC INDUSTRIES BELIEVES THE DATA ON THIS DRAWING TO BE RELIABLE, SINCE THE TECHNICAL INFORMATION IS GIVEN FREE OF CHARGE, THE USER EMPLOYEES SUCH INFORMATION AT HIS OWN DISCRETION AND RISK. POSITRONIC INDUSTRIES ASSUMES NO RESPONSIBILITY FOR RESULTS OBTAINED OR DAMAGES INCURRED FROM USE OF SUCH INFORMATION IN WHOLE OR IN PART.

SK4062

DATE	REV	REVISION RECORD	APP	DR	CK
11-26-01	NC	ECO 18671		YK	



CONTACT HOLE PATTERN

NOTES:

1. MATERIALS AND FINISHES:

INSULATOR: GLASS FILLED POLYESTER PER MIL-M-24519,
 UL 94V-0, COLOR: BLUE.
 SHELLS: STEEL, TIN PLATED.
 CONTACTS: COPPER ALLOY, GOLD FLASH OVER NICKEL.
 MOUNTING SPACERS: STEEL, TIN PLATED.

2. ELECTRICAL CHARACTERISTICS:

CONTACT CURRENT RATING: 30 AMPERES NOMINAL.
 INITIAL CONTACT RESISTANCE: 0.005 OHMS MAXIMUM.
 INSULATOR RESISTANCE: 5 G OHMS.
 WORKING VOLTAGE: 300 V.r.m.s.
 WORKING TEMPERATURE: -55°C TO +125°C.

3. DIMENSIONS ARE IN INCHES [MILLIMETERS].



POSITRONIC INDUSTRIES INC.
 www.connectpositronic.com



DECIMAL TOL.
 ± 0.015 [0.38]

WF # 4193

ANGULAR TOL.
 ± 5°

CBD SERIES

TITLE

DATE

11-26-01

SCALE

N.T.S.

DRAWING NUMBER

SK4062

DRAWN BY Y. KELLYBREW

APPROVED BY

REV.

NC

CBD5W5F37S600X