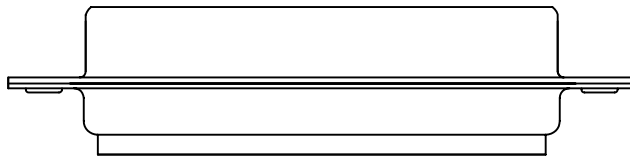
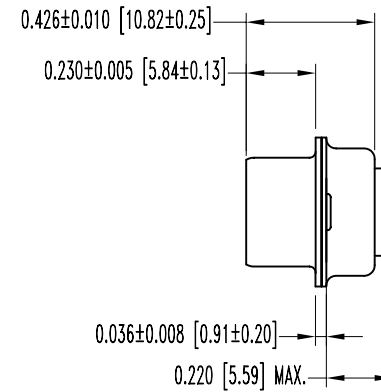
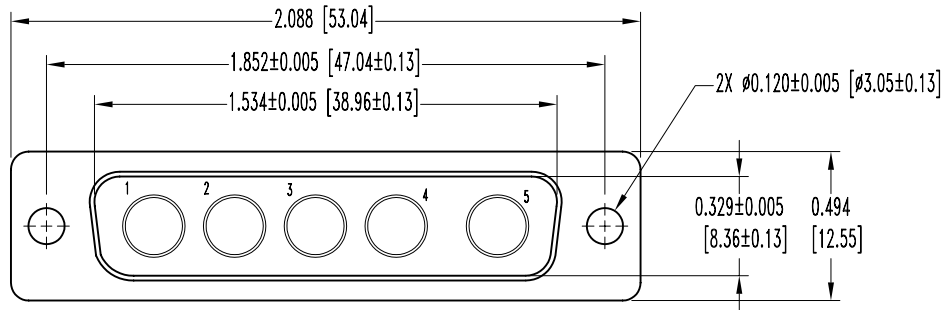


SK6506


POSITRONIC INDUSTRIES BELIEVES THE DATA ON THIS DRAWING TO BE RELIABLE. SINCE THE TECHNICAL INFORMATION IS GIVEN FREE OF CHARGE, THE USER EMPLOYS SUCH INFORMATION AT HIS OWN DISCRETION AND RISK. POSITRONIC INDUSTRIES ASSUMES NO RESPONSIBILITY FOR RESULTS OBTAINED OR DAMAGES INCURRED FROM USE OF SUCH INFORMATION IN WHOLE OR IN PART.

DATE	REV	REVISION RECORD	APP	DR	CK
8-25-05	NC	ECO 24551		YK	



NOTES:

- MATERIALS AND FINISHES:
INSULATOR: GLASS FILLED POLYESTER PER MIL-M-24519 UL94V-0, BLUE COLOR.
SHELLS: STEEL, TIN PLATE.
- ELECTRICAL CHARACTERISTICS:
CONTACT CURRENT RATING: 7.5 AMPERES NOMINAL.
INITIAL CONTACT RESISTANCE: 0.008 OHMS MAXIMUM.
INSULATOR RESISTANCE: 5 G OHMS.
WORKING VOLTAGE: 300 V r.m.s.
- TEMPERATURE RANGE: -55°C TO +125°C.
- CONNECTORS ARE ROHS COMPLIANT PER ROHS DIRECTIVE 2002/95/EC OF 27 JAN 2003.
- DIMENSIONS ARE IN INCHES [MILLIMETERS].

 POSITRONIC INDUSTRIES INC. www.connectpositronic.com		SCALE	DRAWN BY
		N.T.S.	YK
DECIMAL TOL.	CBD SERIES	APPROVED BY	
± 0.015 [0.38]	TITLE	CBD5W5M0000X/AA	
ANGULAR TOL.	DATE	DRAWING NUMBER	REV.
± 5°	8-25-05	SK6506	NC