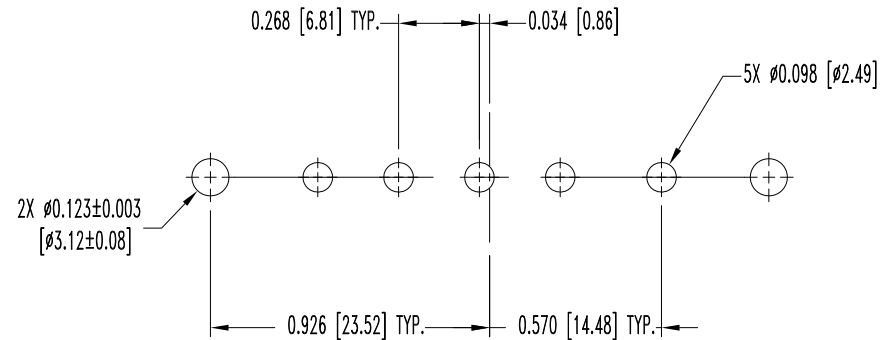
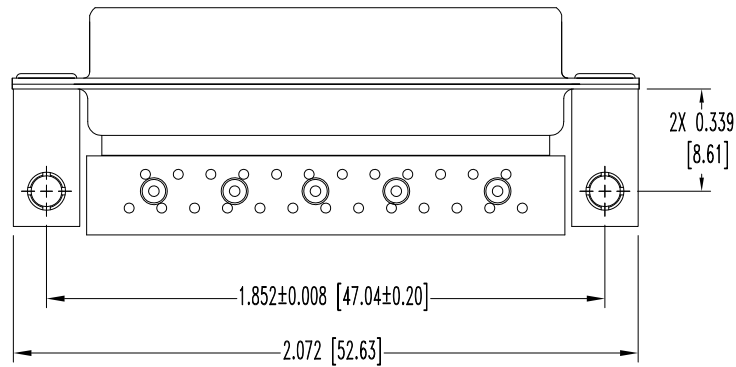
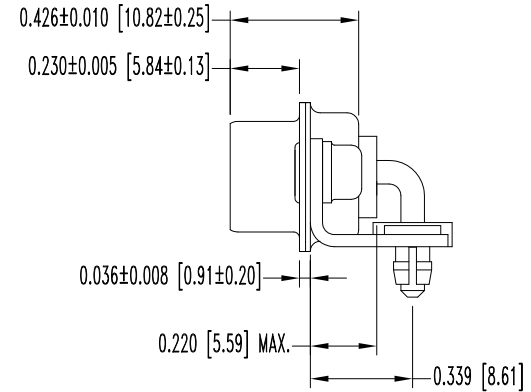
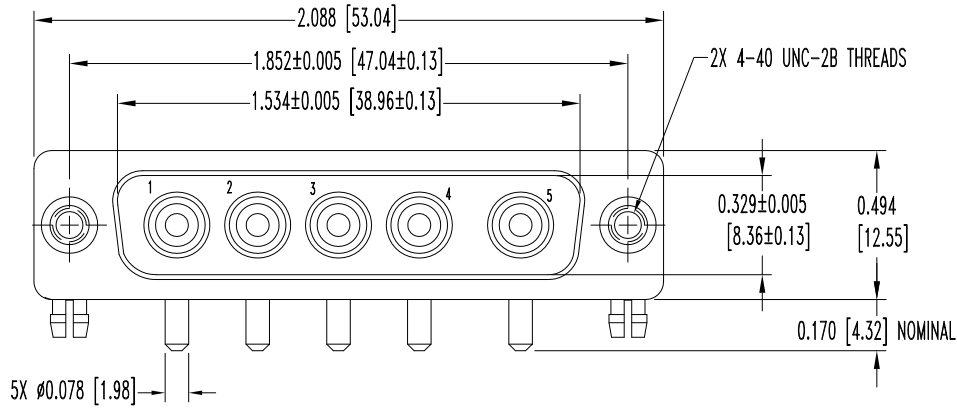


THIS DRAWING CONTAINS INFORMATION PROPRIETARY TO POSITRONIC AND ITS SUBSIDIARIES. POSITRONIC BELIEVES THE DATA ON THIS DRAWING TO BE RELIABLE. SINCE THE TECHNICAL INFORMATION IS GIVEN FREE OF CHARGE, THE USER EMPLOYS SUCH INFORMATION AT HIS OWN DISCRETION AND RISK. POSITRONIC ASSUMES NO RESPONSIBILITY FOR RESULTS OBTAINED OR DAMAGES INCURRED FROM USE OF SUCH INFORMATION IN WHOLE OR IN PART.

DATE	REV	REVISION RECORD	APP	DR	CK
12-17-08	NC	ECO 30401	TK	YK	COLE



CONTACT HOLE PATTERN

NOTES:

- MATERIALS AND FINISHES:
 - INSULATOR: GLASS FILLED POLYESTER PER MIL-M-24519 UL 94V-0, COLOR BLUE.
 - CONTACTS: MACHINED OF HIGH CONDUCTIVITY COPPER ALLOY, GOLD FLASH OVER NICKEL FINISH.
 - SHELLS: STEEL, ZINC PLATE WITH CHROMATE SEAL.
 - MOUNTING BRACKETS: BRASS, ZINC PLATE WITH CHROMATE SEAL.
 - CLINCH NUTS: BRASS, ZINC PLATE WITH CHROMATE SEAL.
 - PUSH FASTENERS: BERYLLIUM COPPER, TIN PLATE.
 - ALIGNMENT BAR: GLASS FILLED NYLON, COLOR BLACK.
- ELECTRICAL CHARACTERISTICS:
 - CONTACT CURRENT RATING: 15 AMPERES NOMINAL.
 - INITIAL CONTACT RESISTANCE: 0.0005 OHMS MAXIMUM.
 - INSULATOR RESISTANCE: 5 G OHMS.
 - WORKING VOLTAGE: 300 V r.m.s.
- TEMPERATURE RANGE: -55°C TO +125°C.
- DIMENSIONS ARE IN INCHES [MILLIMETERS].

	POSITRONIC INDUSTRIES INC. www.connectpositronic.com		FSCM 28198
	CBD SERIES	SCALE N.T.S.	DRAWN BY YK
DECIMAL TOL. ± 0.015 [0.38]	TITLE CBD5W5M55R8N00		
ANGULAR TOL. ± 5°	DATE 12-17-08	DRAWING NUMBER SK10116	REV. NC
		APPROVED BY T KEPLEY	