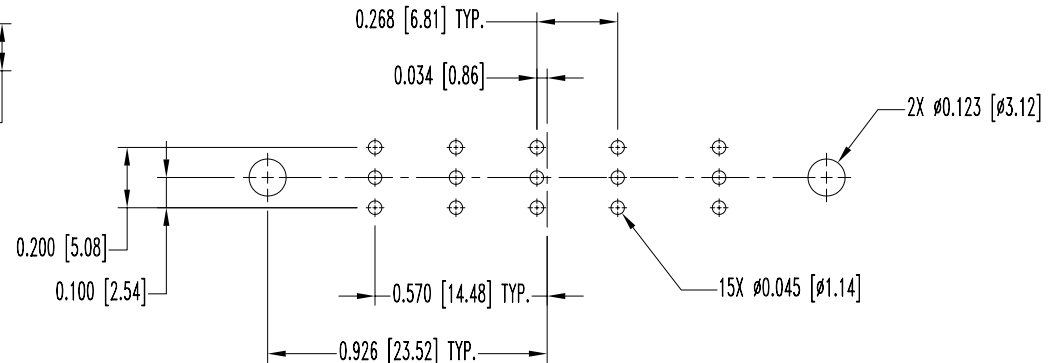
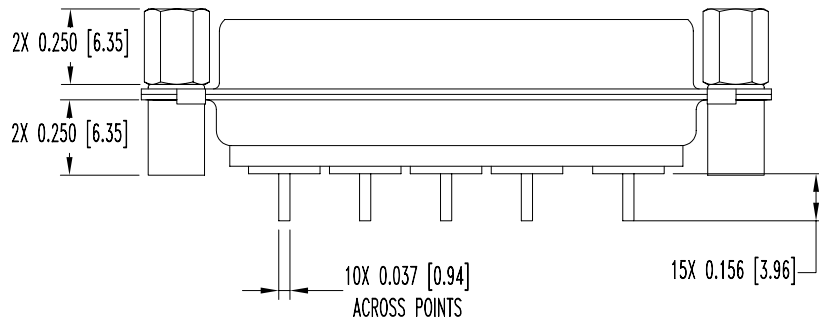
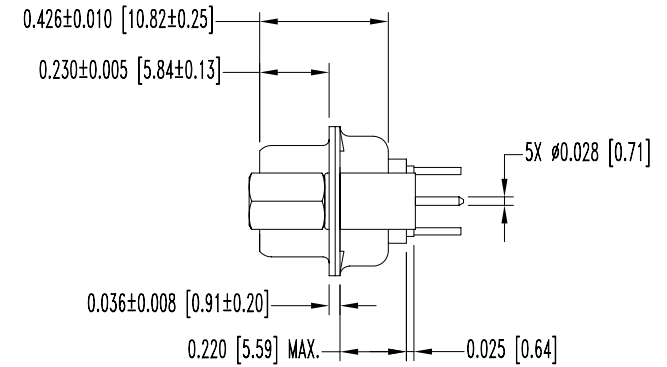
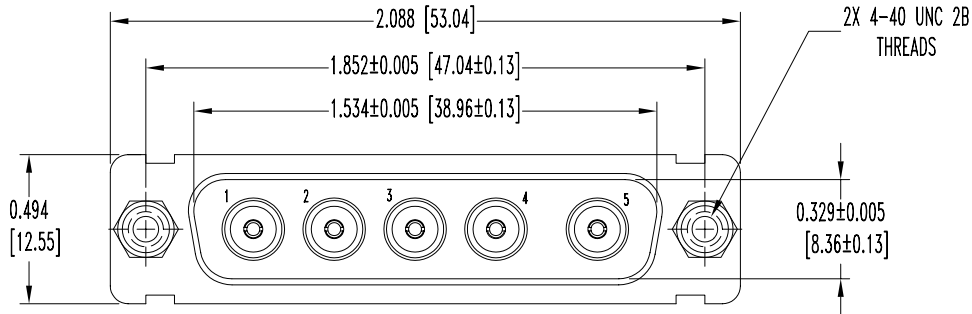


SK8930

POSITRONIC INDUSTRIES BELIEVES THE DATA ON THIS DRAWING TO BE RELIABLE. SINCE THE TECHNICAL INFORMATION IS GIVEN FREE OF CHARGE, THE USER EMPLOYS SUCH INFORMATION AT HIS OWN DISCRETION AND RISK. POSITRONIC INDUSTRIES ASSUMES NO RESPONSIBILITY FOR RESULTS OBTAINED OR DAMAGES INCURRED FROM USE OF SUCH INFORMATION IN WHOLE OR IN PART.

DATE	REV	REVISION RECORD	APP	DR	CK
9-13-07	NC	ECO 28430	RCW	YK	COLE



CONTACT HOLE PATTERN

NOTES:

1. MATERIALS AND FINISHES:

- INSULATOR: GLASS FILLED POLYESTER PER MIL-M-24519 UL 94V-0, BLUE COLOR.
- CONTACTS: COPPER ALLOY WITH PTFE TEFLON INSULATOR.
- PLATING: SIGNAL CONTACT: 0.000030 [0.75µ] GOLD OVER NICKEL FINISH.
- CONTACT BODY: GOLD FLASH OVER NICKEL FINISH.

- SHELLS: STAINLESS STEEL, PASSIVATED.
- MOUNTING SPACERS: STEEL, ZINC PLATE WITH CHROMATE SEAL.
- JACKSCREWS: BRASS, ZINC PLATE WITH CHROMATE SEAL.

2. ELECTRICAL CHARACTERISTICS:

- INITIAL CONTACT RESISTANCE: 0.008 OHMS MAXIMUM.
- NOMINAL IMPEDANCE: 50 OHMS.
- INSERTION LOSS: -0.46 dB AT 1 GHz
- 1.5 dB AT 2 GHz
- YSWR: 1.15 AVERAGE AT 1 GHz
- 1.56 AVERAGE AT 2 GHz
- INSULATOR RESISTANCE: 5 G OHMS.
- WORKING VOLTAGE: 300 V r.m.s.

3. TEMPERATURE RANGE: -55°C TO +125°C.

4. DIMENSIONS ARE IN INCHES [MILLIMETERS].

	POSITRONIC INDUSTRIES INC. www.connectpositronic.com		FSCM 28198
	 DECIMAL TOL. ± 0.015 [0.38]	CBD SERIES	SCALE N.T.S.
TITLE CBD5W5M65S0TS	DATE 9-13-07	DRAWING NUMBER SK8930	REV. NC