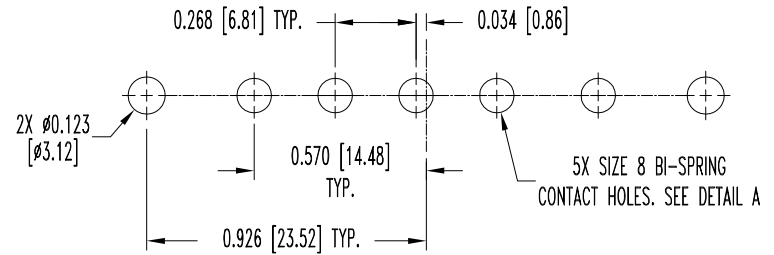
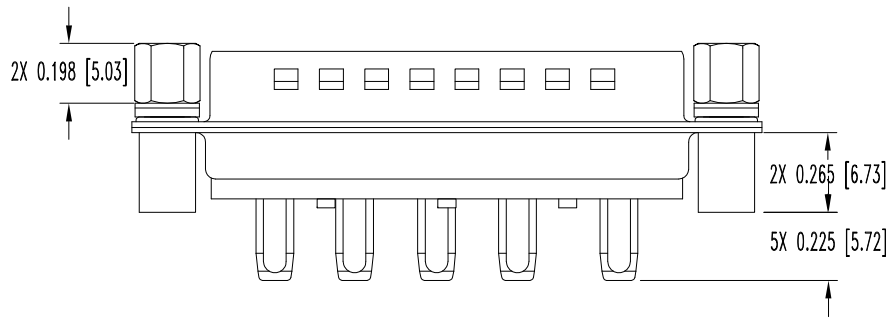
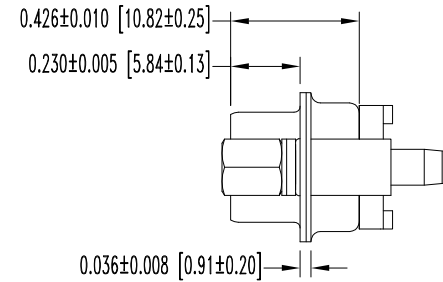
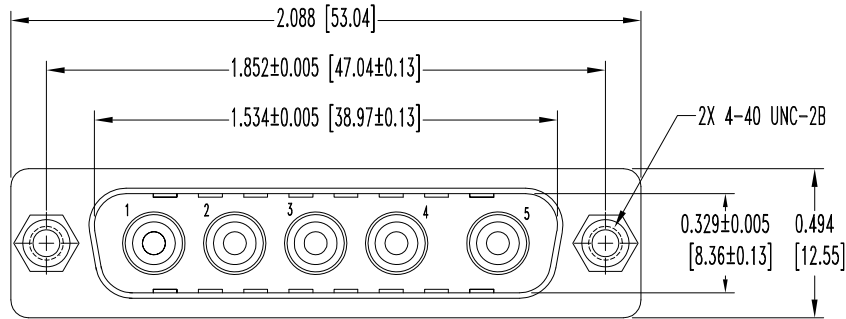
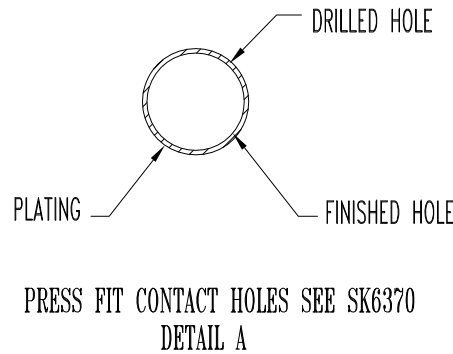


THIS DRAWING CONTAINS INFORMATION PROPRIETARY TO POSITRONIC AND ITS SUBSIDIARIES. POSITRONIC BELIEVES THE DATA ON THIS DRAWING TO BE RELIABLE. SINCE THE TECHNICAL INFORMATION IS GIVEN FREE OF CHARGE, THE USER EMPLOYS SUCH INFORMATION AT HIS OWN DISCRETION AND RISK. POSITRONIC ASSUMES NO RESPONSIBILITY FOR RESULTS OBTAINED OR DAMAGES INCURRED FROM USE OF SUCH INFORMATION IN WHOLE OR IN PART.

DATE	REV	REVISION RECORD	APP	DR	CK
12-22-08	NC	ECO 30421	TK	YK	COLE
3-24-10	A	ECO 32233	COLE	ME	SY



CONTACT HOLE PATTERN



NOTES:

- MATERIALS AND FINISHES:  
 INSULATOR: GLASS FILLED POLYESTER PER ASTM D5927, UL 94V-0, BLUE COLOR.  
 CONTACTS: MACHINED OF HIGH CONDUCTIVITY COPPER ALLOY, GOLD FLASH OVER NICKEL FINISH.  
 SHELLS: STEEL, TIN PLATED AND DIMPLED.  
 MOUNTING SPACERS: STEEL, TIN PLATE.  
 JACKSCREWS: BRASS, ZINC PLATE WITH CHROMATE SEAL.  
 WASHERS: STAINLESS STEEL, PASSIVATED.
- DETAILED PRODUCT, ELECTRICAL, AND MECHANICAL INFORMATION IS AVAILABLE IN THE LATEST CBD PRODUCT PUBLICATION.  
 VISIT [CONNECTPOSITRONIC.COM/PRODUCTS/1/STANDARD DENSITY COMBO-D/](http://CONNECTPOSITRONIC.COM/PRODUCTS/1/STANDARD DENSITY COMBO-D/) OR [CONNECTPOSITRONIC.COM](http://CONNECTPOSITRONIC.COM).
- DIMENSIONS ARE IN INCHES [MILLIMETERS].

		<b>POSITRONIC INDUSTRIES INC.</b> www.connectpositronic.com		FSCM 28198
DECIMAL TOL. ± 0.015 [0.38]	CBD SERIES	SCALE N.T.S.	DRAWN BY YK	APPROVED BY T KEPLER
TITLE CBD5W5M93S0T2Z				
ANGULAR TOL. ± 5°	DATE 12-22-08	DRAWING NUMBER SK10142	REV. A	