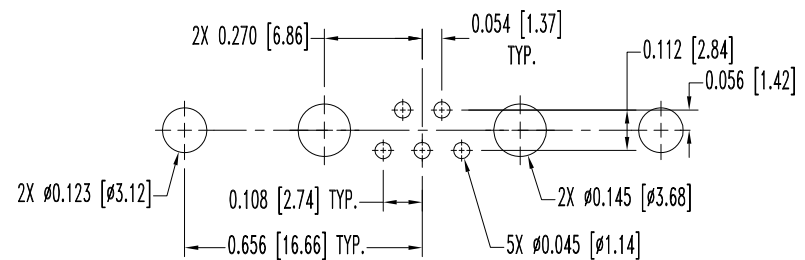
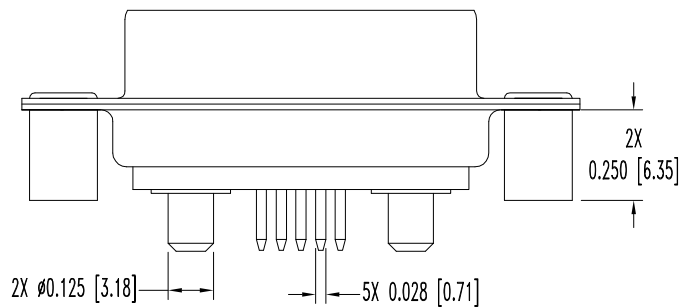
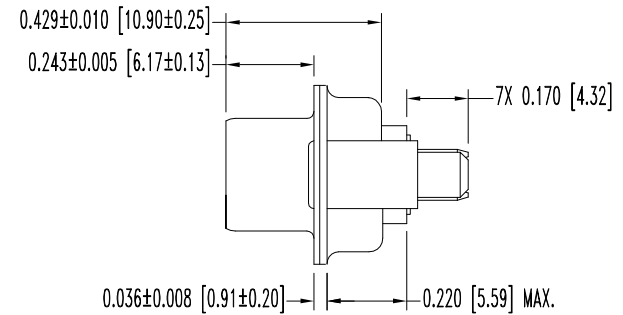
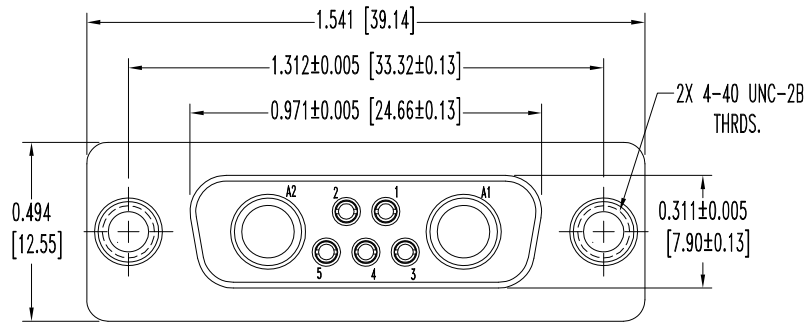


THIS DRAWING CONTAINS INFORMATION PROPRIETARY TO POSITRONIC AND ITS SUBSIDIARIES. POSITRONIC BELIEVES THE DATA ON THIS DRAWING TO BE RELIABLE, SINCE THE TECHNICAL INFORMATION IS GIVEN FREE OF CHARGE, THE USER EMPLOYS SUCH INFORMATION AT HIS OWN DISCRETION AND RISK. POSITRONIC ASSUMES NO RESPONSIBILITY FOR RESULTS OBTAINED OR DAMAGES INCURRED FROM USE OF SUCH INFORMATION IN WHOLE OR IN PART.

| DATE | REV | REVISION RECORD | APP | DR | CK |
|----------|-----|-----------------|------|----|----|
| 11-10-06 | NC | ECO 27011 | RCW | ME | TK |
| 3-24-10 | A | ECO 32233 | COLE | ME | SY |
| | | | | | |
| | | | | | |



CONTACT HOLE PATTERN

NOTES:

1. MATERIALS AND FINISHES:

- INSULATOR: GLASS FILLED POLYESTER PER ASTM D5927, UL 94V-0, BLUE COLOR.
- SIGNAL CONTACTS: PRECISION MACHINED HIGH TENSILE PHOSPHOR BRONZE, GOLD FLASH OVER NICKEL FINISH.
- POWER CONTACTS: MACHINED OF HIGH CONDUCTIVITY COPPER ALLOY, GOLD FLASH OVER NICKEL FINISH.
- SHELLS: STEEL, ZINC FINISH WITH CHROMATE SEAL.
- SPACER: STEEL, ZINC FINISH WITH CHROMATE SEAL.

2. DETAILED PRODUCT, ELECTRICAL, AND MECHANICAL INFORMATION IS AVAILABLE IN THE LATEST CBD PRODUCT PUBLICATION.

VISIT CONNECTPOSITRONIC.COM/PRODUCTS/1/STANDARD DENSITY COMBO-D/ OR CONNECTPOSITRONIC.COM.

3. DIMENSIONS ARE IN INCHES [MILLIMETERS].

| | | | | | |
|--------------------------------|--|--|--------------------------|---------------------|--------------------|
| | | POSITRONIC INDUSTRIES INC. www.connectpositronic.com | | FSCM 28198 | |
| | | CBD SERIES | SCALE N.T.S. | DRAWN BY M. ENEA | APPROVED BY RCW |
| DECIMAL TOL. ± 0.015 [0.38] | | TITLE CBD7W2F37S000 | | | |
| ANGULAR TOL. ± 5° | | DATE 11-10-06 | DRAWING NUMBER SK8111 | REV. A | |