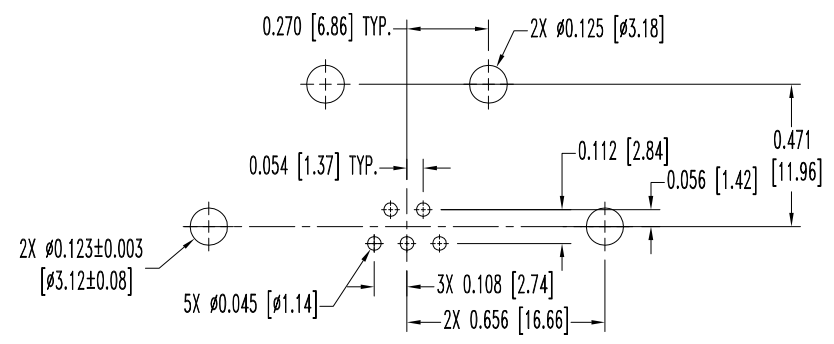
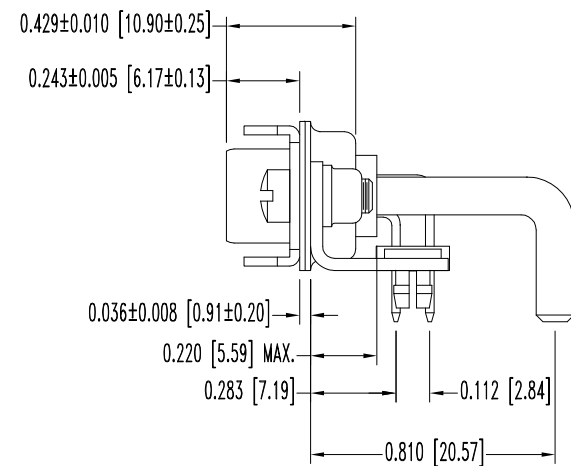
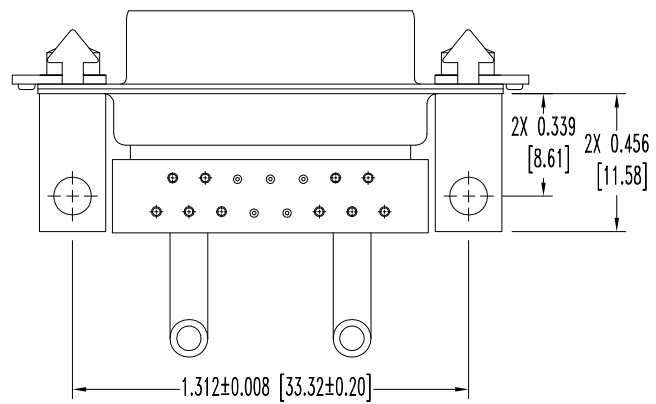
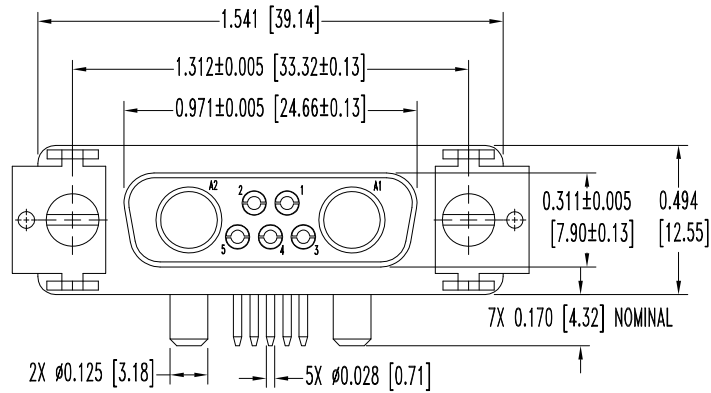


THIS DRAWING CONTAINS INFORMATION PROPRIETARY TO POSITRONIC AND ITS SUBSIDIARIES. POSITRONIC BELIEVES THE DATA ON THIS DRAWING TO BE RELIABLE. SINCE THE TECHNICAL INFORMATION IS GIVEN FREE OF CHARGE, THE USER EMPLOYS SUCH INFORMATION AT HIS OWN DISCRETION AND RISK. POSITRONIC ASSUMES NO RESPONSIBILITY FOR RESULTS OBTAINED OR DAMAGES INCURRED FROM USE OF SUCH INFORMATION IN WHOLE OR IN PART.

DATE	REV	REVISION RECORD	APP	DR	CK
5-28-03	NC	ECO 20970	TK	ME	TK
3-24-10	A	ECO 32233	COLE	ME	SY



CONTACT HOLE PATTERN

NOTES:

- MATERIALS AND FINISHES:  
 INSULATOR: GLASS FILLED POLYESTER PER ASTM D5927, UL 94V-0, BLUE COLOR.  
 CONTACTS: SIGNAL CONTACTS—PRECISION MACHINED HIGH TENSILE PHOSPHOR BRONZE, GOLD FLASH OVER NICKEL PLATE.  
 POWER CONTACTS—HIGH CONDUCTIVITY COPPER ALLOY, GOLD FLASH OVER NICKEL PLATE.  
 SHELLS: STEEL, ZINC PLATE WITH DICHROMATE SEAL.  
 BRACKETS: BRASS, TIN PLATE OVER NICKEL.  
 VIBRATION LOCK SYSTEMS: LOCK TABS, STEEL WITH NICKEL PLATE.
- DETAILED PRODUCT, ELECTRICAL, AND MECHANICAL INFORMATION IS AVAILABLE IN THE LATEST CBD PRODUCT PUBLICATION. VISIT [CONNECTPOSITRONIC.COM/PRODUCTS/1/STANDARD DENSITY COMBO-D/](http://CONNECTPOSITRONIC.COM/PRODUCTS/1/STANDARD DENSITY COMBO-D/) OR [CONNECTPOSITRONIC.COM](http://CONNECTPOSITRONIC.COM).
- DIMENSIONS ARE IN INCHES [MILLIMETERS].

	<b>POSITRONIC INDUSTRIES INC.</b> www.connectpositronic.com		FSCM 28198
	CBD SERIES	SCALE N.T.S.	DRAWN BY M. ENEA
DECIMAL TOL. ± 0.015 [0.38]	TITLE CBD7W2F57R8NV50		
ANGULAR TOL. ± 5°	DATE 5-28-03	DRAWING NUMBER SK5023	REV. A
		APPROVED BY T. KEPLEY	