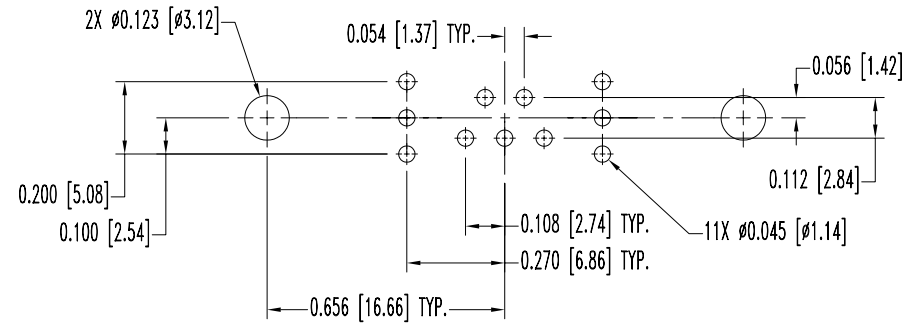
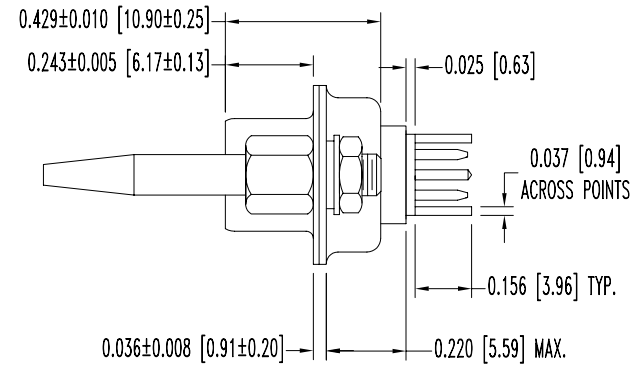
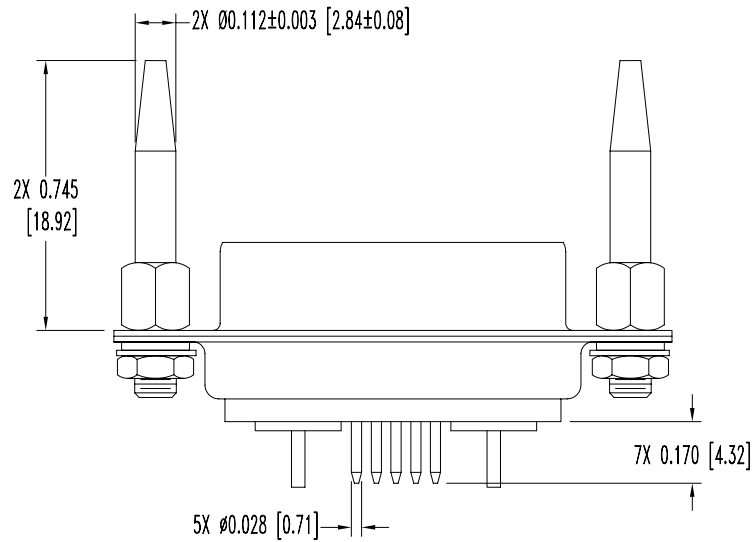
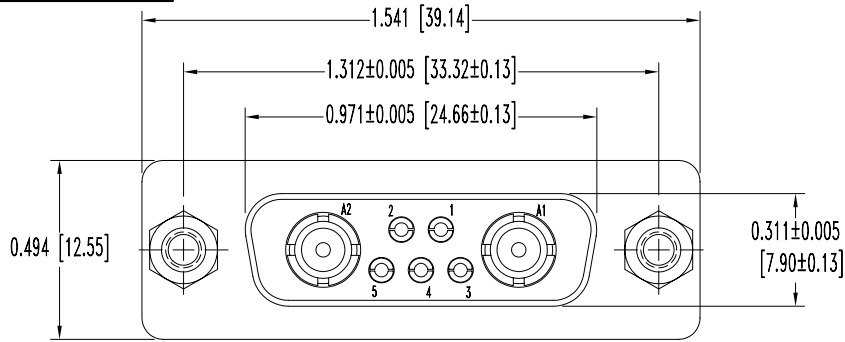


POSITRONIC INDUSTRIES BELIEVES THE DATA ON THIS DRAWING TO BE RELIABLE, SINCE THE TECHNICAL INFORMATION IS GIVEN FREE OF CHARGE, THE USER EMPLOYS SUCH INFORMATION AT HIS OWN DISCRETION AND RISK. POSITRONIC INDUSTRIES ASSUMES NO RESPONSIBILITY FOR RESULTS OBTAINED OR DAMAGES INCURRED FROM USE OF SUCH INFORMATION IN WHOLE OR IN PART.

DATE	REV	REVISION RECORD	APP	DR	CK
12-19-05	NC	ECO 25208	TK	YK	TK
9-27-07	A	ECO 28475	RCW	YK	TK



CONTACT HOLE PATTERN

NOTES:

1. MATERIALS AND FINISHES:

INSULATOR: GLASS FILLED POLYESTER PER MIL-M-24519 UL94V-0, BLUE COLOR.

SIGNAL CONTACTS: PRECISION MACHINED HIGH TENSILE PHOSPHOR BRONZE, 0.000030 [0.76μ] GOLD OVER NICKEL FINISH.

SHIELDED CONTACTS: COPPER ALLOY WITH PTFE TEFLON INSULATOR.

PLATING: SIGNAL CONTACT: 0.0000030 [0.75μ] GOLD OVER NICKEL FINISH.

CONTACT BODY: GOLD FLASH OVER NICKEL FINISH.

SHELLS: STEEL, TIN PLATE.

BLIND MATE GUIDES: STEEL, ZINC PLATE WITH CHROMATE SEAL.

HEX NUTS: BRASS, TIN PLATE.

LOCKWASHERS: BRONZE, TIN PLATE.

2. ELECTRICAL CHARACTERISTICS:

SIGNAL CONTACTS:

CONTACT CURRENT RATING: 7.5 AMPERES NOMINAL.

INITIAL CONTACT RESISTANCE: 0.008 OHMS MAXIMUM.

SHIELDED CONTACTS:

INITIAL CONTACT RESISTANCE: 0.008 OHMS MAXIMUM.

NOMINAL IMPEDANCE: 50 OHMS.

INSERTION LOSS: -0.46 dB AT 1 GHz

-1.5 dB AT 2 GHz

VSWR: 1.15 AVERAGE AT 1 GHz

1.56 AVERAGE AT 2 GHz

INSULATOR RESISTANCE: 5 G OHMS.

WORKING VOLTAGE: 300 V r.m.s.

3. TEMPERATURE RANGE: -55°C TO +125°C.

4. THIS MOS ALLOWS FOR CONNECTOR TO BE SUPPLIED WITH BLIND MATE GUIDES.

5. CONNECTORS ARE ROHS COMPLIANT PER ROHS DIRECTIVE 2002/95/EC OF 27 JAN 2003.

6. DIMENSIONS ARE IN INCHES [MILLIMETERS].

	POSITRONIC INDUSTRIES INC. www.connectpositronic.com		FSCM 28198
	DECIMAL TOL. ± 0.015 [0.38]	CBD SERIES	SCALE N.T.S.
ANGULAR TOL. ± 5°	TITLE CBD7W2F65000X/AA-759.0		
DATE 12-19-05	DRAWING NUMBER SK6831	APPROVED BY T. KEPLEY	REV. A