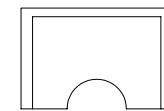
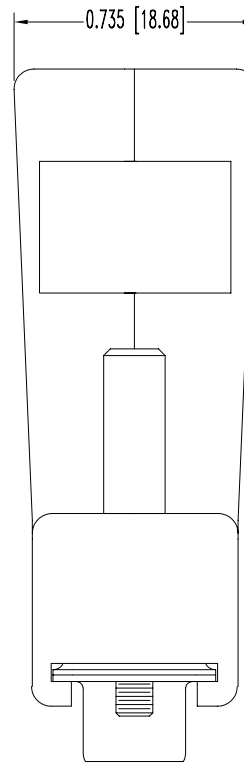
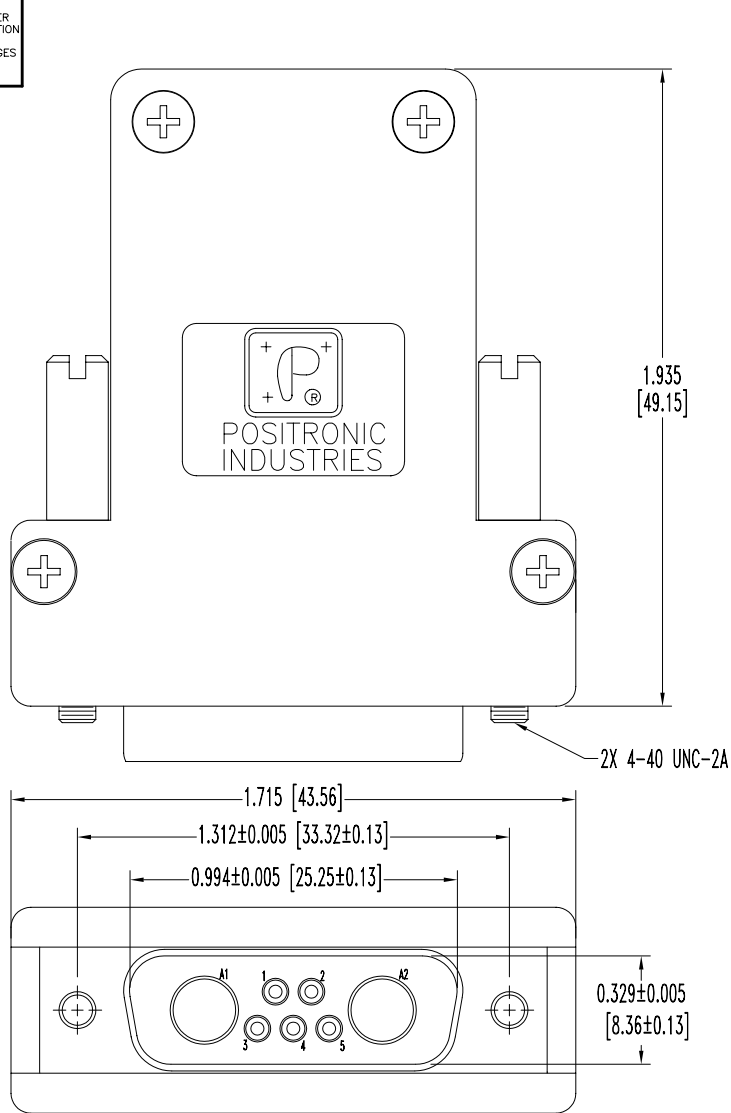


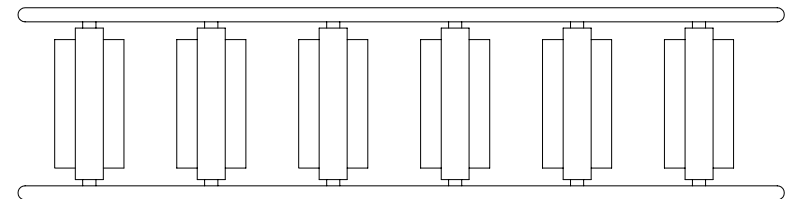
SK8557

POSITRONIC INDUSTRIES BELIEVES THE DATA ON THIS DRAWING TO BE RELIABLE. SINCE THE TECHNICAL INFORMATION IS GIVEN FREE OF CHARGE, THE USER EMPLOYS SUCH INFORMATION AT HIS OWN DISCRETION AND RISK. POSITRONIC INDUSTRIES ASSUMES NO RESPONSIBILITY FOR RESULTS OBTAINED OR DAMAGES INCURRED FROM USE OF SUCH INFORMATION IN WHOLE OR IN PART.

DATE	REV	REVISION RECORD	APP	DR	CK
5-10-07	NC	ECO 27883		YK	



TYPICAL INSERT



INSERT TREE ASSEMBLY

NOTES:

1. MATERIALS AND FINISHES:

INSULATOR: GLASS FILLED POLYESTER PER MIL-M-24519, UL 94V-0, COLOR BLUE.

CONTACTS: PRECISION MACHINED BRASS, GOLD FLASH OVER NICKEL FINISH.

SHELLS: STEEL, ZINC PLATE WITH CHROMATE SEAL.

HOOD AND INSERT: COMPOSITE, CONDUCTIVE VOLUME RESISTIVITY (1.0 OHM-CM MAX.), UL 94V-0.

ATTENUATION: 40+ DECIBELS.

JACKSCREWS: STEEL, ZINC PLATE WITH CHROMATE SEAL.

SCREWS: STAINLESS STEEL, PASSIVATED.

2. ELECTRICAL CHARACTERISTICS:

CONTACT CURRENT RATING: 7.5 AMPERES NOMINAL.

INITIAL CONTACT RESISTANCE: 0.008 OHMS MAX.

INSULATOR RESISTANCE: 5 G OHMS.

WORKING VOLTAGE: 300 V r.m.s.

3. TEMPERATURE RANGE: -55°C TO +125°C.

4. INSERT TREE KITTED WITH CONNECTOR.

5. CONNECTORS ARE ROHS COMPLIANT PER ROHS DIRECTIVE 2002/95/EC OF 27 JAN 2003.

6. DIMENSIONS ARE IN INCHES [MILLIMETERS].

	POSITRONIC INDUSTRIES INC. www.connectpositronic.com		FSCM 28198
	 DECIMAL TOL. ± 0.015 [0.38]	CBD SERIES	SCALE N.T.S.
 ANGULAR TOL. ± 5°	TITLE CBD7W2M20Z00/AA		
	DATE 5-10-07	DRAWING NUMBER SK8557	REV. NC