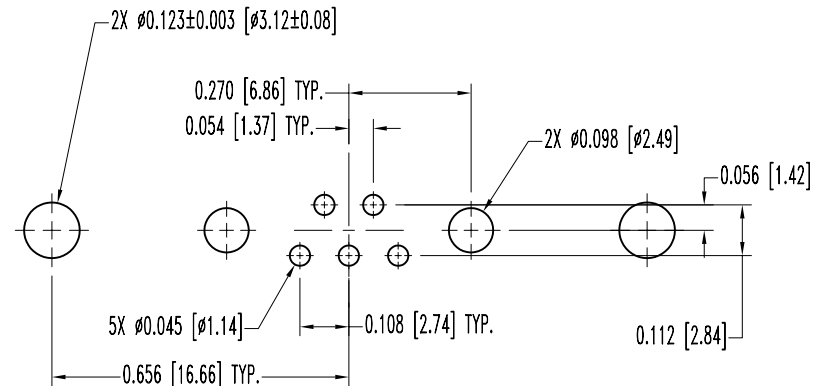
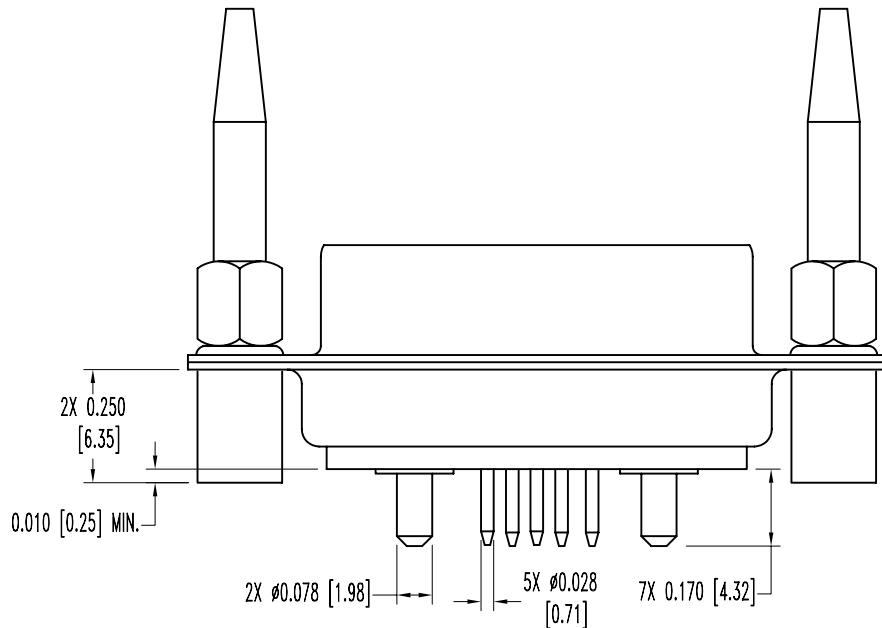
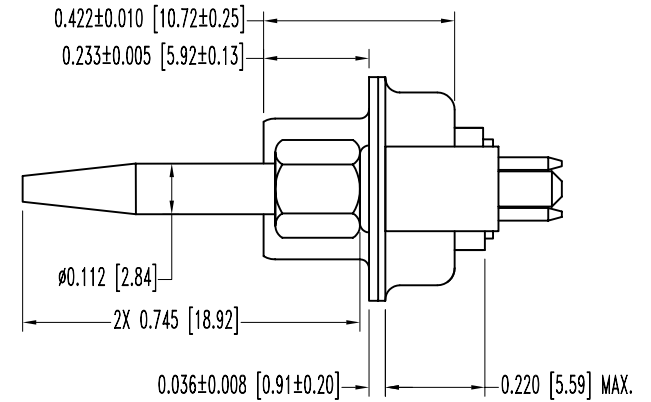
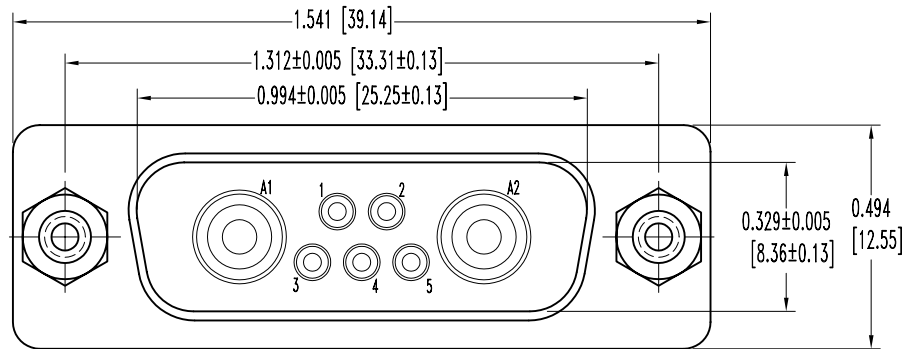


POSITRONIC INDUSTRIES BELIEVES THE DATA ON THIS DRAWING TO BE RELIABLE. SINCE THE TECHNICAL INFORMATION IS GIVEN FREE OF CHARGE, THE USER EMPLOYS SUCH INFORMATION AT HIS OWN DISCRETION AND RISK. POSITRONIC INDUSTRIES ASSUMES NO RESPONSIBILITY FOR RESULTS OBTAINED OR DAMAGES INCURRED FROM USE OF SUCH INFORMATION IN WHOLE OR IN PART.

DATE	REV	REVISION RECORD	APP	DR	CK
11-20-03	NC	ECO 21713		YK	



CONTACT HOLE PATTERN

NOTES:

- MATERIALS AND FINISHES:  
 INSULATOR: GLASS FILLED POLYESTER PER MIL-W-24519 UL 94V-0, BLUE COLOR.  
 SIGNAL CONTACTS: PRECISION MACHINED BRASS ALLOY, GOLD FLASH OVER NICKEL PLATE.  
 POWER CONTACTS: MACHINED OF HIGH CONDUCTIVITY COPPER ALLOY, GOLD FLASH OVER NICKEL PLATE.  
 SHELLS: STEEL, ZINC PLATED WITH DICHROMATE SEAL.  
 BLIND MATING GUIDES: STEEL, ZINC PLATE WITH DICHROMATE SEAL.
- ELECTRICAL CHARACTERISTICS:  
 CONTACT CURRENT RATING: SIGNAL: 7.5 AMPERES NOMINAL. POWER: 15 AMPERES NOMINAL.  
 INITIAL CONTACT RESISTANCE: SIGNAL: 0.008 OHMS MAXIMUM. POWER: 0.005 OHMS MAXIMUM.  
 INSULATOR RESISTANCE: 5 G OHMS.  
 WORKING VOLTAGE: 300 V r.m.s.
- TEMPERATURE RANGE: -55°C TO +125°C.
- DIMENSIONS ARE IN INCHES [MILLIMETERS].

		<b>POSITRONIC INDUSTRIES INC.</b> www.connectpositronic.com	
	<b>CBD SERIES</b>	SCALE <b>N.T.S.</b>	DRAWN BY <b>YK</b>
DECIMAL TOL. <b>± 0.015 [0.38]</b>	TITLE <b>CBD7W2M35S000-759.0</b>		
ANGULAR TOL. <b>± 5°</b>	DATE <b>11-20-03</b>	DRAWING NUMBER <b>SK5219</b>	REV. <b>NC</b>