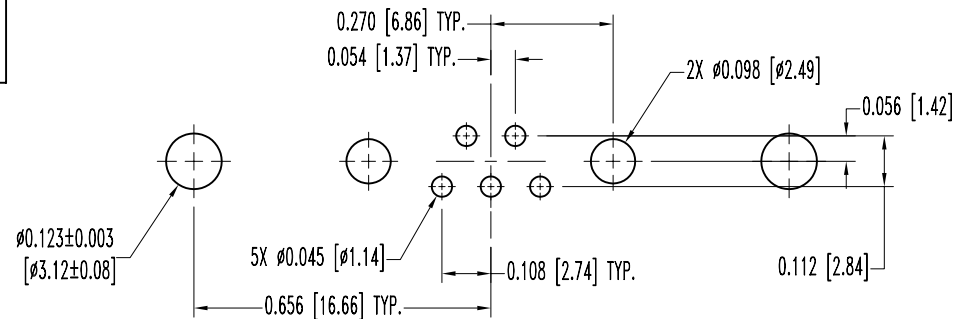
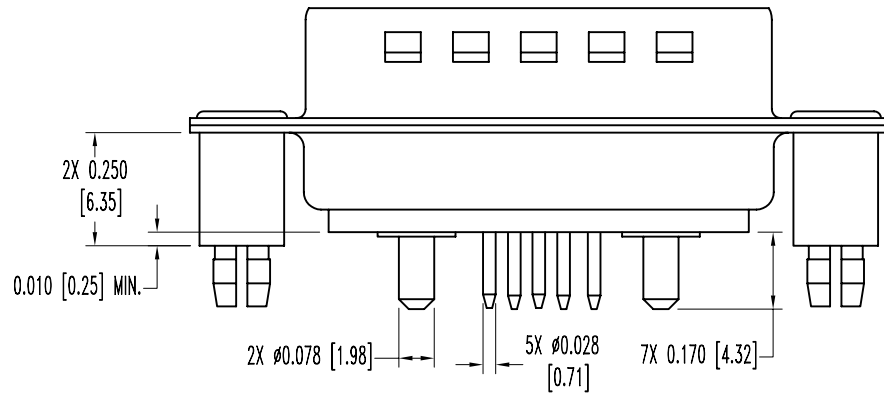
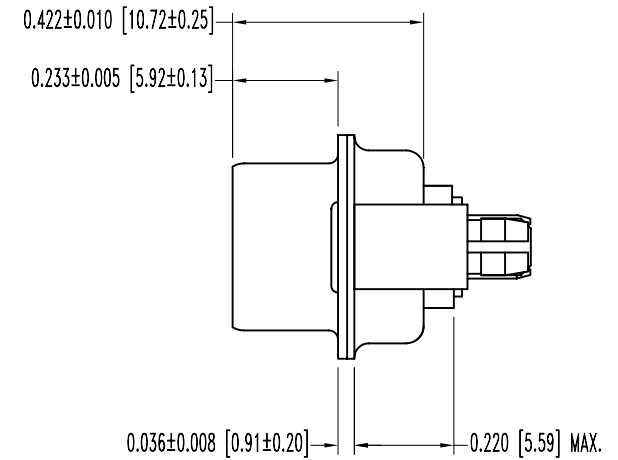
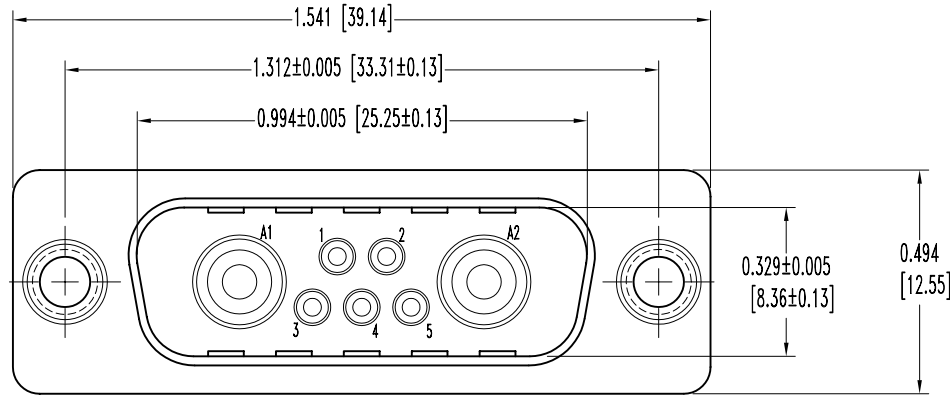


SK7679

POSITRONIC INDUSTRIES BELIEVES THE DATA ON THIS DRAWING TO BE RELIABLE, SINCE THE TECHNICAL INFORMATION IS GIVEN FREE OF CHARGE, THE USER EMPLOYS SUCH INFORMATION AT HIS OWN DISCRETION AND RISK. POSITRONIC INDUSTRIES ASSUMES NO RESPONSIBILITY FOR RESULTS OBTAINED OR DAMAGES INCURRED FROM USE OF SUCH INFORMATION IN WHOLE OR IN PART.

DATE	REV	REVISION RECORD	APP	DR	CK
6-29-06	NC	ECO 26287		YK	



CONTACT HOLE PATTERN

NOTES:

- MATERIALS AND FINISHES:
 INSULATOR: GLASS FILLED POLYESTER PER MIL-M-24519 UL 94V-0, BLUE COLOR.
 SIGNAL CONTACTS: PRECISION MACHINED BRASS ALLOY, GOLD FLASH OVER NICKEL PLATE.
 POWER CONTACTS: MACHINED OF HIGH CONDUCTIVITY COPPER ALLOY, GOLD FLASH OVER NICKEL PLATE.
 SHELLS: STEEL, TIN PLATED AND DIMPLED.
 PUSH FASTENERS: PHOSPHOR BRONZE WITH TIN PLATE.
- ELECTRICAL CHARACTERISTICS:
 CONTACT CURRENT RATING: SIGNAL: 7.5 AMPERES NOMINAL. POWER: 15 AMPERES NOMINAL.
 INITIAL CONTACT RESISTANCE: SIGNAL: 0.008 OHMS MAXIMUM. POWER: 0.0005 OHMS MAXIMUM.
 INSULATOR RESISTANCE: 5 G OHMS.
 WORKING VOLTAGE: 300 V r.m.s.
- TEMPERATURE RANGE: -55°C TO +125°C.
- CONNECTORS ARE ROHS COMPLIANT PER ROHS DIRECTIVE 2002/95/EC OF 27 JAN 2003.
- DIMENSIONS ARE IN INCHES [MILLIMETERS].

		POSITRONIC INDUSTRIES INC. www.connectpositronic.com	
	DECIMAL TOL. ± 0.015 [0.38]	SCALE N.T.S.	DRAWN BY YK
TITLE CBD SERIES		APPROVED BY	
CBD7W2M35S600Z/AA			
DATE 6-29-06	DRAWING NUMBER SK7679	REV. NC	