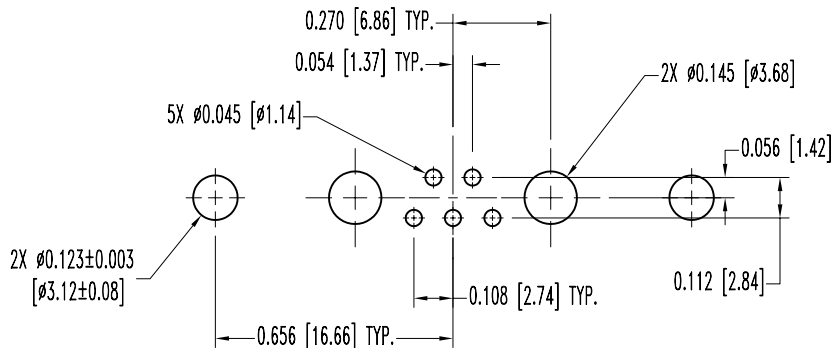
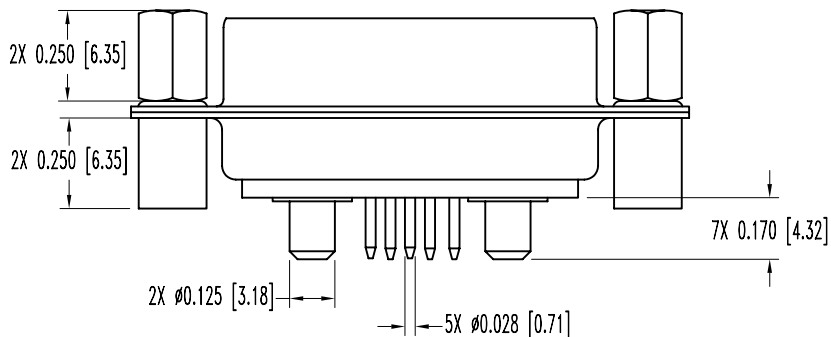
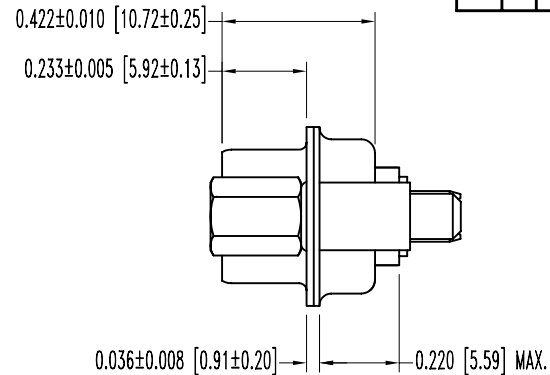
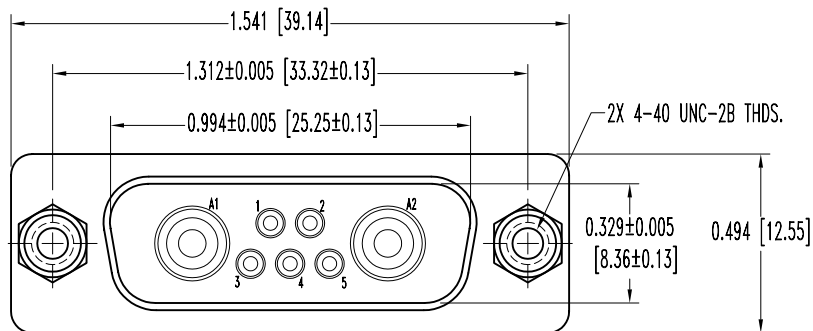


POSITRONIC INDUSTRIES BELIEVES THE DATA ON THIS DRAWING TO BE RELIABLE, SINCE THE TECHNICAL INFORMATION IS GIVEN FREE OF CHARGE, THE USER EMPLOYS SUCH INFORMATION AT HIS OWN DISCRETION AND RISK. POSITRONIC INDUSTRIES ASSUMES NO RESPONSIBILITY FOR RESULTS OBTAINED OR DAMAGES INCURRED FROM USE OF SUCH INFORMATION IN WHOLE OR IN PART.

| DATE     | REV | REVISION RECORD | APP | DR | CK |
|----------|-----|-----------------|-----|----|----|
| 11-13-06 | NC  | ECO 27019       |     | YK |    |
|          |     |                 |     |    |    |
|          |     |                 |     |    |    |



CONTACT HOLE PATTERN

NOTES:

1. MATERIALS AND FINISHES:

- INSULATOR: GLASS FILLED POLYESTER PER MIL-M-24519 UL 94V-0, BLUE COLOR.
- SIGNAL CONTACTS: PRECISION MACHINED BRASS ALLOY, GOLD FLASH OVER NICKEL PLATE.
- POWER CONTACTS: MACHINED OF HIGH CONDUCTIVITY COPPER ALLOY, GOLD FLASH OVER NICKEL PLATE.
- SHELLS: STEEL, ZINC PLATE WITH CHROMATE SEAL.
- SPACERS: STEEL, ZINC PLATE WITH CHROMATE SEAL.
- JACKSCREWS: BRASS, ZINC PLATE WITH CHROMATE SEAL.

2. ELECTRICAL CHARACTERISTICS:

- CONTACT CURRENT RATING:
  - SIGNAL CONTACTS: 7.5 AMPERES NOMINAL.
  - POWER CONTACTS: 30 AMPERES NOMINAL.
- INITIAL CONTACT RESISTANCE:
  - SIGNAL CONTACTS: 0.008 OHMS MAXIMUM.
  - POWER CONTACTS: 0.0005 OHMS MAXIMUM.
- INSULATOR RESISTANCE: 5 G OHMS.
- WORKING VOLTAGE: 300 V r.m.s.

- 3. TEMPERATURE RANGE: -55°C TO +125°C.
- 4. CONNECTORS ARE ROHS COMPLIANT PER ROHS DIRECTIVE 2002/95/EC OF 27 JAN 2003.
- 5. DIMENSIONS ARE IN INCHES [MILLIMETERS].

|                |  |                |             |          |
|----------------|--|----------------|-------------|----------|
|                | <b>POSITRONIC INDUSTRIES INC.</b><br>www.connectpositronic.com |                | SCALE       | DRAWN BY |
|                | CBD SERIES   |                | N.T.S.      | YK       |
| DECIMAL TOL.   | TITLE  |                | APPROVED BY |          |
| ± 0.015 [0.38] | CBD7W2M37S0T0/AA   |                |             |          |
| ANGULAR TOL.   | DATE   | DRAWING NUMBER | REV.        |          |
| ± 5°           | 11-13-06   | SK8125         | NC          |          |