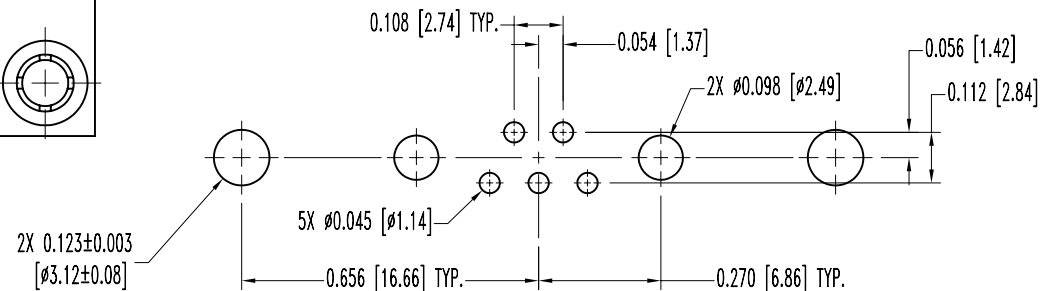
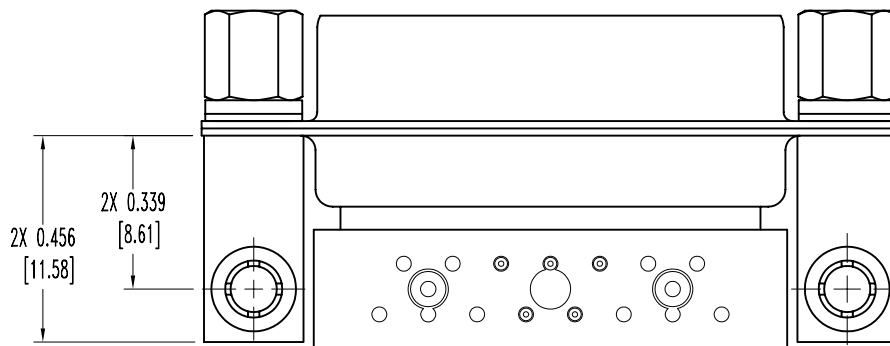
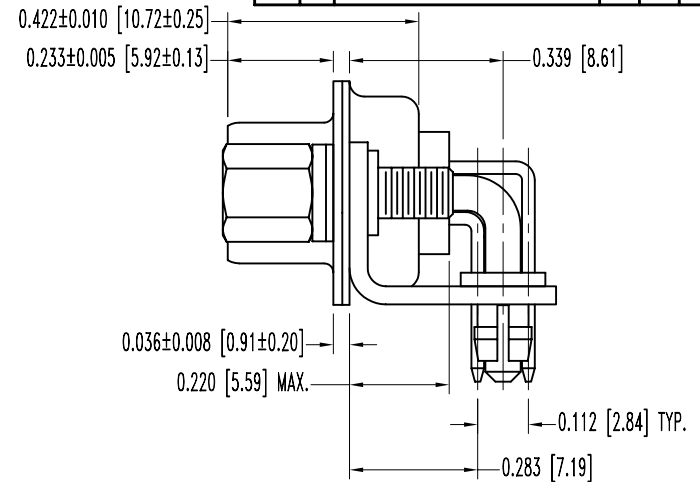
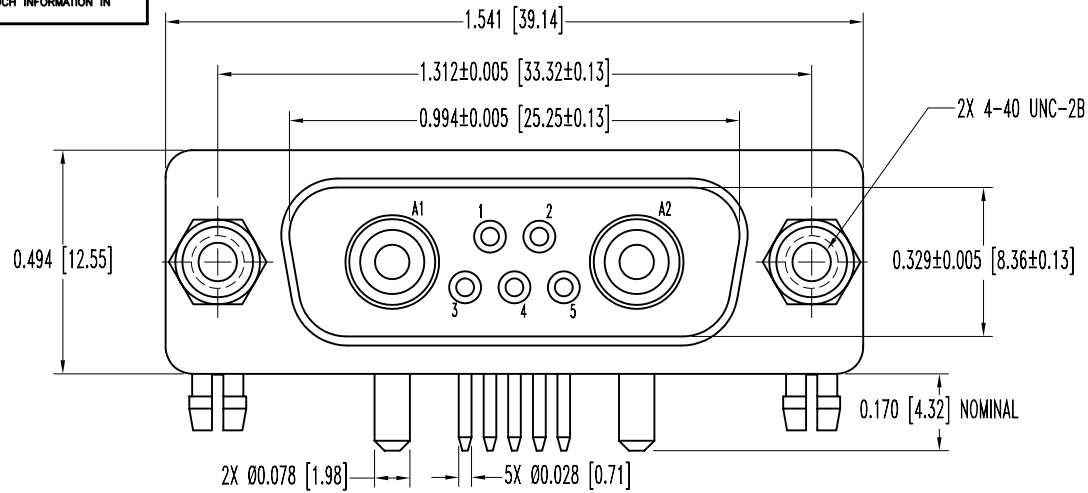


SK5193

POSITRONIC INDUSTRIES BELIEVES THE DATA ON THIS DRAWING TO BE RELIABLE. SINCE THE TECHNICAL INFORMATION IS GIVEN FREE OF CHARGE, THE USER EMPLOYS SUCH INFORMATION AT HIS OWN DISCRETION AND RISK. POSITRONIC INDUSTRIES ASSUMES NO RESPONSIBILITY FOR RESULTS OBTAINED OR DAMAGES INCURRED FROM USE OF SUCH INFORMATION IN WHOLE OR IN PART.

DATE	REV	REVISION RECORD	APP	DR	CK
11-4-03	NC	ECO 21650		YK	



NOTES:

1. MATERIALS AND FINISHES:

- INSULATOR: GLASS FILLED POLYESTER PER MIL-M-24519 UL 94V-0, COLOR: BLUE.
- SIGNAL CONTACTS: BRASS ALLOY WITH GOLD FLASH OVER NICKEL OVER COPPER PLATE.
- POWER CONTACTS: BRASS ALLOY WITH GOLD FLASH OVER NICKEL OVER COPPER PLATE.
- SHELLS: STAINLESS STEEL, PASSIVATED.
- MOUNTING BRACKETS: BRASS, ZINC PLATE WITH DICROMATE SEAL.
- PUSH ON FASTENERS: COPPER ALLOY WITH TIN PLATE.
- JACKSCREWS: STEEL WITH ZINC PLATE AND DICROMATE SEAL.

2. ELECTRICAL CHARACTERISTICS:

- SIGNAL CONTACTS:
- CONTACT CURRENT RATING: 7.5 AMPERES NOMINAL.
- INITIAL CONTACT RESISTANCE: 0.008 OHMS MAXIMUM.
- POWER CONTACTS:
- CONTACT CURRENT RATING: 15 AMPERES NOMINAL.
- INITIAL CONTACT RESISTANCE: 0.005 OHMS MAXIMUM.
- INSULATOR RESISTANCE: 5 G OHMS.
- WORKING VOLTAGE: 300 V r.m.s.

3. TEMPERATURE RANGE: -55°C TO +125°C.

4. DIMENSIONS ARE IN INCHES [MILLIMETERS].

CONTACT HOLE PATTERN

	POSITRONIC INDUSTRIES INC. www.connectpositronic.com	
	DECIMAL TOL. ± 0.015 [0.38]	TITLE CBD7W2M55R7NT2S
ANGULAR TOL. $\pm 5^\circ$	DATE 11-4-03	DRAWING NUMBER SK5193
SCALE N.T.S.	DRAWN BY YK	REV. NC
APPROVED BY	CBD SERIES	APPROVED BY