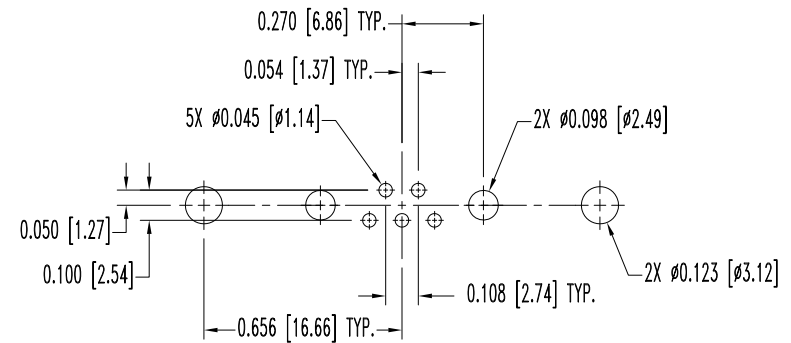
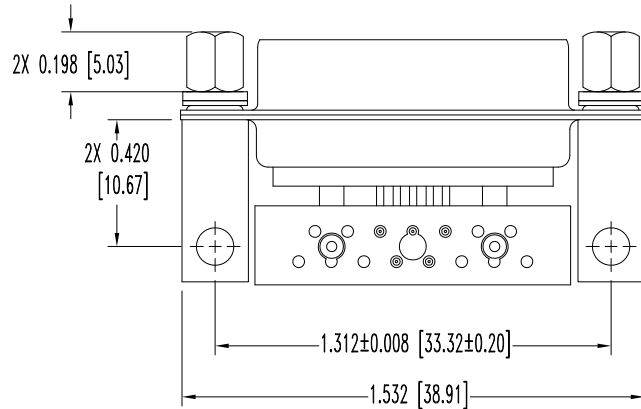
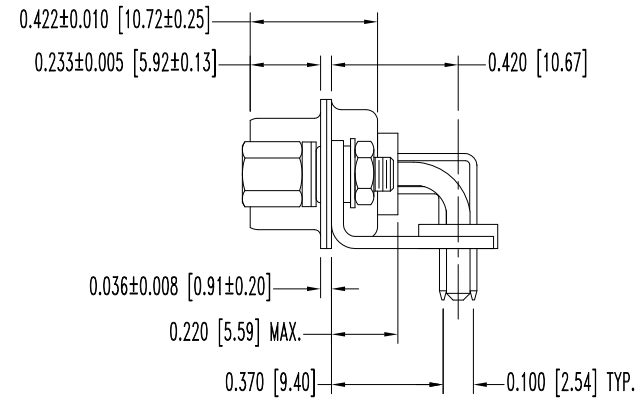
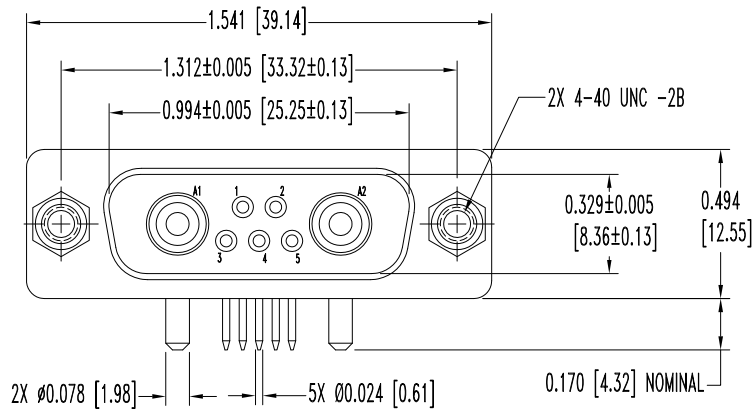


THIS DRAWING CONTAINS INFORMATION PROPRIETARY TO POSITRONIC AND ITS SUBSIDIARIES. POSITRONIC BELIEVES THE DATA ON THIS DRAWING TO BE RELIABLE. SINCE THE TECHNICAL INFORMATION IS GIVEN FREE OF CHARGE, THE USER EMPLOYS SUCH INFORMATION AT HIS OWN DISCRETION AND RISK. POSITRONIC ASSUMES NO RESPONSIBILITY FOR RESULTS OBTAINED OR DAMAGES INCURRED FROM USE OF SUCH INFORMATION IN WHOLE OR IN PART.

DATE	REV	REVISION RECORD	APP	DR	CK
10-10-08	NC	ECO 30098	RCW	YK	COLE



CONTACT HOLE PATTERN

NOTES:

- MATERIALS AND FINISHES:**
 INSULATOR: GLASS FILLED POLYESTER PER MIL-M-24519 UL 94V-0, COLOR: BLUE.
 SIGNAL CONTACTS: PRECISION MACHINED BRASS ALLOY WITH GOLD FLASH OVER NICKEL FINISH.
 POWER CONTACTS: MACHINED OF HIGH CONDUCTIVITY COPPER ALLOY WITH GOLD FLASH OVER NICKEL FINISH.
 SHELLS: STEEL, ZINC FINISH WITH CHROMATE SEAL.
 MOUNTING BRACKETS: BRASS, ZINC FINISH WITH CHROMATE SEAL.
 RIVETS: BRASS, ZINC FINISH WITH CHROMATE SEAL.
 JACKSCREWS: STEEL, ZINC PLATE WITH CHROMATE SEAL.
 LOCK WASHERS: BRONZE, ZINC PLATE WITH CHROMATE SEAL.
 WASHERS: STAINLESS STEEL, PASSIVATED.
 HEX NUTS: BRASS, ZINC PLATE WITH CHROMATE SEAL.
 ALIGNMENT BAR: GLASS FILLED NYLON, COLOR BLACK.
- ELECTRICAL CHARACTERISTICS:**
 CONTACT CURRENT RATING: SIGNAL: 7.5 AMPERES NOMINAL. POWER: 15 AMPERES NOMINAL.
 INITIAL CONTACT RESISTANCE: SIGNAL: 0.008 OHMS MAXIMUM. POWER: 0.0005 OHMS MAXIMUM.
 INSULATOR RESISTANCE: 5 G OHMS.
 WORKING VOLTAGE: 300 V r.m.s.
- TEMPERATURE RANGE:** -55°C TO +125°C.
- DIMENSIONS ARE IN INCHES [MILLIMETERS].**

	POSITRONIC INDUSTRIES INC. www.connectpositronic.com		FSCM 28198
	DECIMAL TOL. ± 0.015 [0.38]	CBD SERIES	SCALE N.T.S.
ANGULAR TOL. ± 5°	TITLE CBD7W2M75R60T20		
DATE 10-10-08	DRAWING NUMBER SK9805	APPROVED BY R WILLIAMS	REV. NC