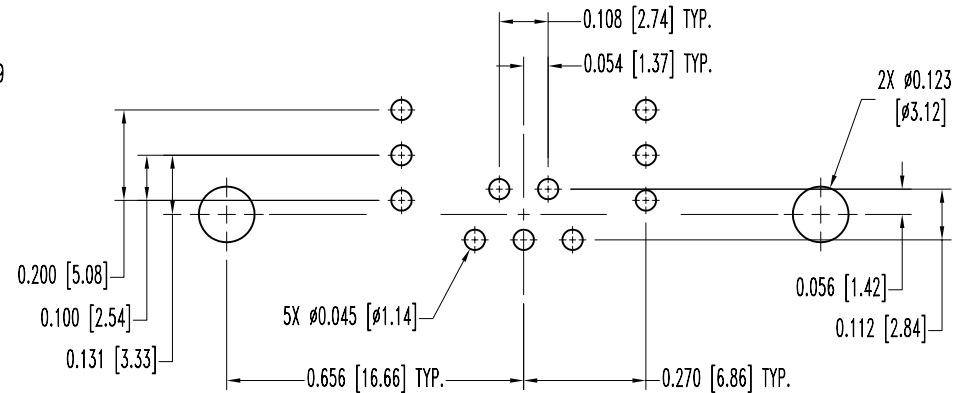
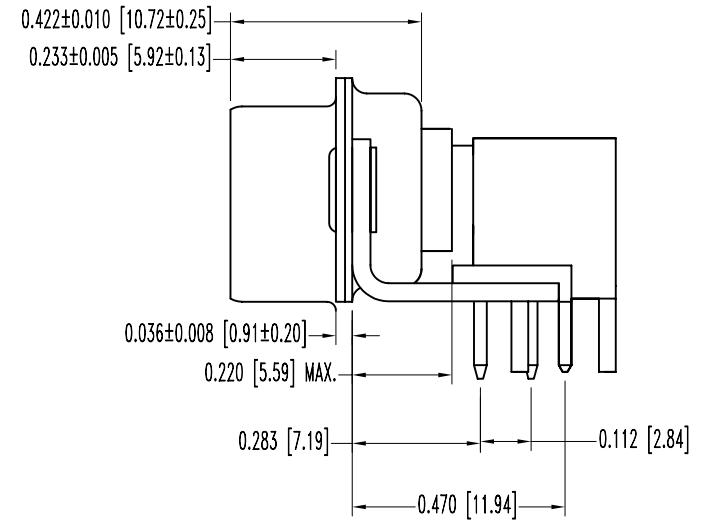
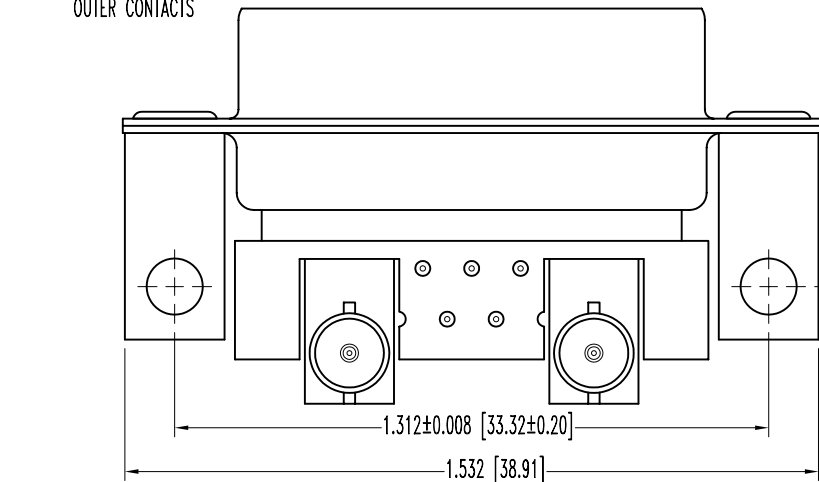
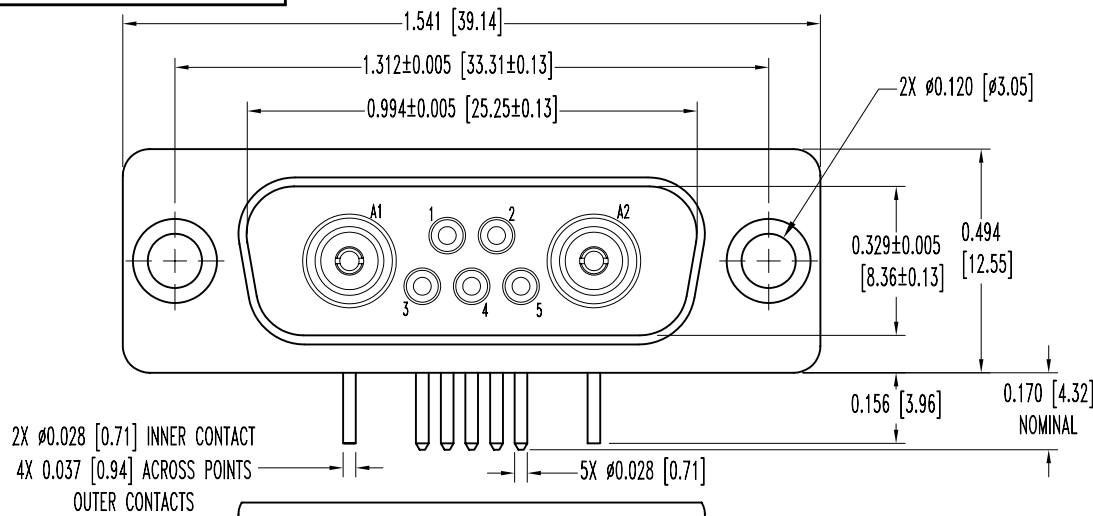


SK6597

POSITRONIC INDUSTRIES BELIEVES THE DATA ON THIS DRAWING TO BE RELIABLE. SINCE THE TECHNICAL INFORMATION IS GIVEN FREE OF CHARGE, THE USER EMPLOYS SUCH INFORMATION AT HIS OWN DISCRETION AND RISK. POSITRONIC INDUSTRIES ASSUMES NO RESPONSIBILITY FOR RESULTS OBTAINED OR DAMAGES INCURRED FROM USE OF SUCH INFORMATION IN WHOLE OR IN PART.

DATE	REV	REVISION RECORD	APP	DR	CK
9-26-05	NC	ECO 24734		YK	



CONTACT HOLE PATTERN

NOTES:

1. MATERIALS AND FINISHES:

- INSULATOR: GLASS FILLED POLYESTER PER MIL-M-24519 UL 94V-0, COLOR: BLUE.
- SIGNAL CONTACTS: PRECISION MACHINED BRASS ALLOY, GOLD FLASH OVER NICKEL PLATE.
- SHIELDED CONTACTS: COPPER ALLOY WITH PTFE TEFLON INSULATOR.
- PLATING: SIGNAL CONTACT: 0.0000030 [0.75µ] GOLD OVER NICKEL.
- CONTACT BODY: GOLD FLASH OVER NICKEL.
- SHELLS: STEEL, ZINC PLATE WITH DICHROMATE SEAL.
- MOUNTING BRACKETS: BRASS, ZINC PLATE WITH DICHROMATE SEAL.
- RIVETS: BRASS, ZINC PLATE DICHROMATE SEAL.
- ALIGNMENT BAR: GLASS FILLED NYLON, COLOR BLACK.

2. ELECTRICAL CHARACTERISTICS:

- SIGNAL CONTACTS:
- CONTACT CURRENT RATING: 7.5 AMPERES NOMINAL.
- INITIAL CONTACT RESISTANCE: 0.008 OHMS MAXIMUM.

SHIELDED CONTACTS:

- INITIAL CONTACT RESISTANCE: 0.008 OHMS MAXIMUM.
- NOMINAL IMPEDANCE: 50 OHMS.
- INSERTION LOSS: -0.46 dB AT 1 GHz
- 1.5 dB AT 2 GHz
- VSWR: 1.15 AVERAGE AT 1 GHz
- 1.56 AVERAGE AT 2 GHz
- INSULATOR RESISTANCE: 5 G OHMS.
- WORKING VOLTAGE: 300 V r.m.s.
- 3. TEMPERATURE RANGE: -55°C TO +125°C.
- 4. DIMENSIONS ARE IN INCHES [MILLIMETERS].

	POSITRONIC INDUSTRIES INC. www.connectpositronic.com	
	DECIMAL TOL. ± 0.015 [0.38]	CBD SERIES
ANGULAR TOL. ± 5°	DATE 9-26-05	DRAWING NUMBER SK6597
TITLE CBD7W2M85R6000	SCALE N.T.S.	DRAWN BY YK
APPROVED BY	REV.	NC