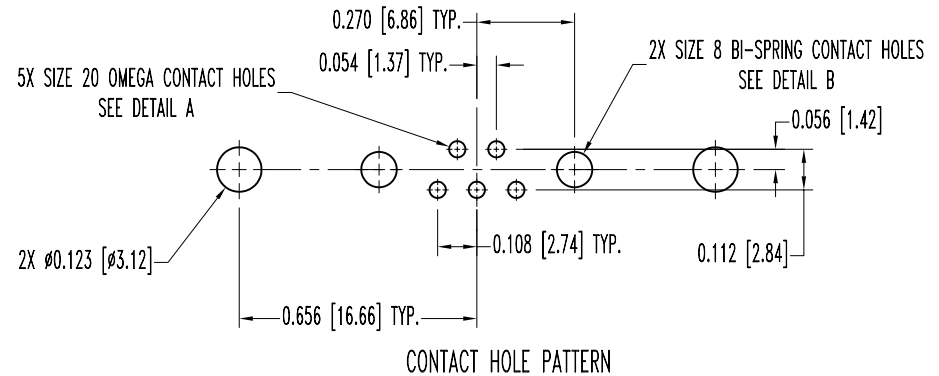
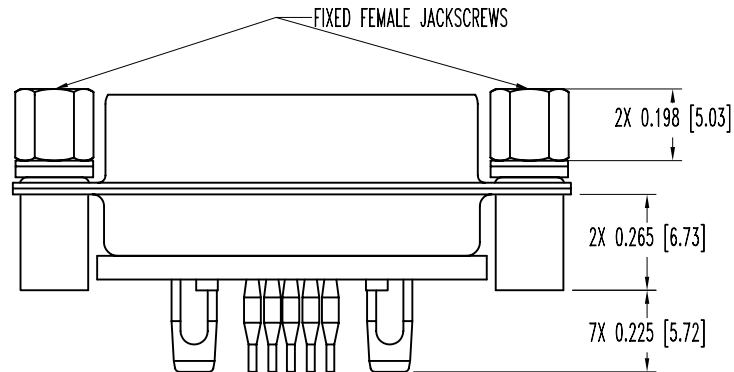
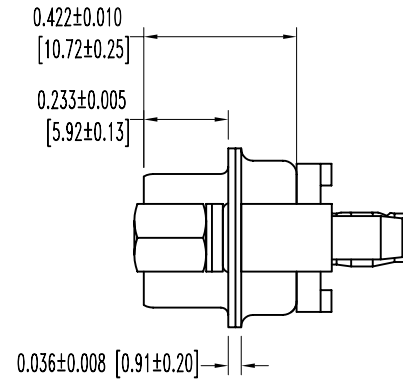
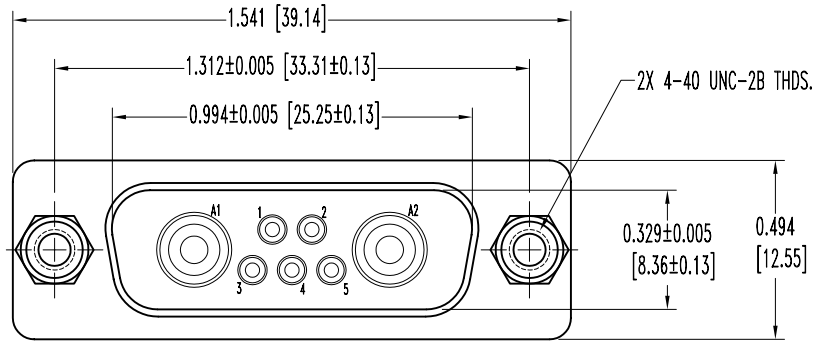


SK6358

POSITRONIC INDUSTRIES BELIEVES THE DATA ON THIS DRAWING TO BE RELIABLE. SINCE THE TECHNICAL INFORMATION IS GIVEN FREE OF CHARGE, THE USER EMPLOYS SUCH INFORMATION AT HIS OWN DISCRETION AND RISK. POSITRONIC INDUSTRIES ASSUMES NO RESPONSIBILITY FOR RESULTS OBTAINED OR DAMAGES INCURRED FROM USE OF SUCH INFORMATION IN WHOLE OR IN PART.

DATE	REV	REVISION RECORD	APP	DR	CK
7-21-05	NC	ECO 24383	RCW	ME	TK
10-7-05	A	ECO 24788		LO	



NOTES:

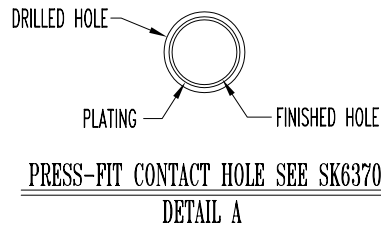
1. MATERIALS AND FINISHES:

- INSULATOR: GLASS FILLED POLYESTER PER MIL-M-24519 UL 94V-0, COLOR: BLUE.
- SIGNAL CONTACTS: PRECISION MACHINED BRASS ALLOY, GOLD FLASH OVER NICKEL PLATE.
- POWER CONTACTS: MACHINED OF HIGH CONDUCTIVITY COPPER ALLOY, GOLD FLASH OVER NICKEL PLATE.
- SHELLS: STEEL, ZINC PLATE WITH CHROMATE SEAL.
- MOUNTING SPACERS: STEEL, ZINC PLATE WITH CHROMATE SEAL.
- JACKSCREWS: STEEL, ZINC PLATE WITH CHROMATE SEAL.
- WASHERS: BRASS, ZINC PLATE WITH CHROMATE SEAL.

2. ELECTRICAL CHARACTERISTICS:

- SIGNAL CONTACTS: CONTACT CURRENT RATING: 7.5 AMPS NOMINAL.
INITIAL CONTACT RESISTANCE: 0.008 OHMS MAXIMUM.
- POWER CONTACTS: CONTACT CURRENT RATING: 35 AMPS NOMINAL.
INITIAL CONTACT RESISTANCE: 0.0005 OHMS MAXIMUM.
- INSULATOR RESISTANCE: 5 G OHMS.
- WORKING VOLTAGE: 300 V r.m.s.

- 3. CONNECTORS ARE RoHS COMPLIANT PER RoHS DIRECTIVE 2002/95/EC OF 27 JAN. 2003.
- 4. TEMPERATURE RANGE: -55°C TO +125°C.
- 5. DIMENSIONS ARE IN INCHES [MILLIMETERS].



		POSITRONIC INDUSTRIES INC. www.connectpositronic.com	
DECIMAL TOL. ± 0.015 [0.38]	CBD SERIES	SCALE N.T.S.	DRAWN BY M. ENEA
		TITLE CBD7W2M93SOT20/AA	
ANGULAR TOL. ± 5°	DATE 7-21-05	DRAWING NUMBER SK6358	REV. A