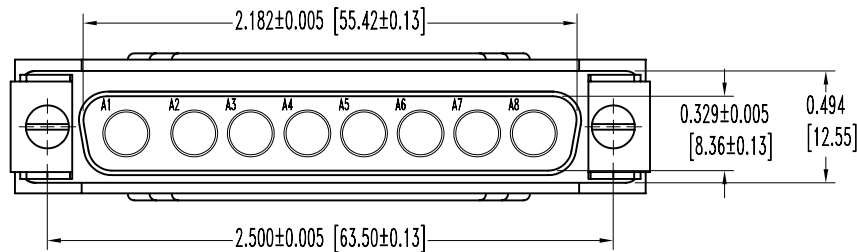
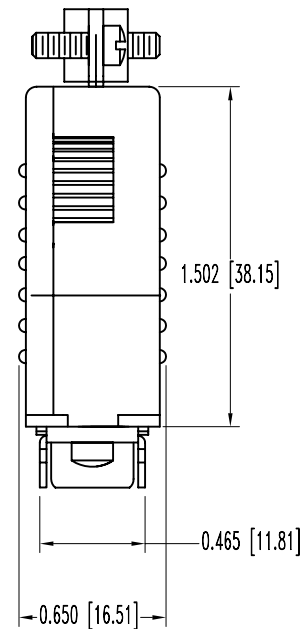
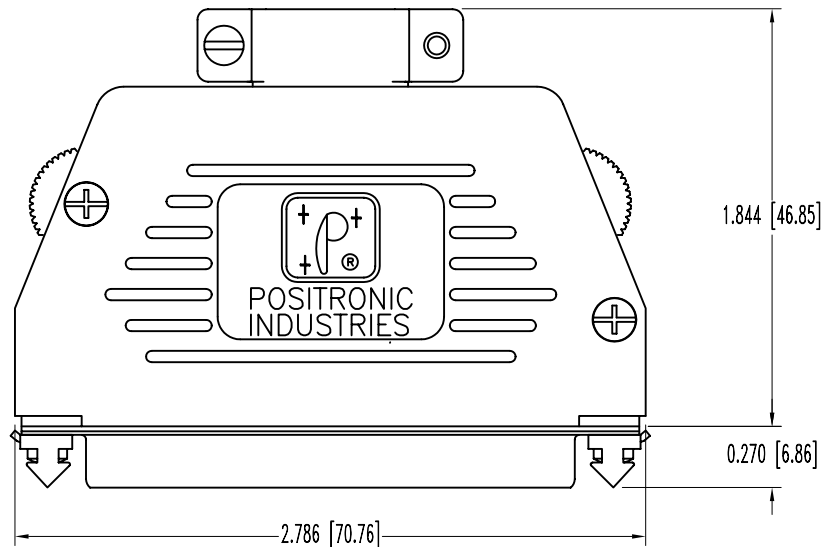


SK6535

POSITRONIC INDUSTRIES BELIEVES THE DATA ON THIS DRAWING TO BE RELIABLE. SINCE THE TECHNICAL INFORMATION IS GIVEN FREE OF CHARGE, THE USER EMPLOYS SUCH INFORMATION AT HIS OWN DISCRETION AND RISK. POSITRONIC INDUSTRIES ASSUMES NO RESPONSIBILITY FOR RESULTS OBTAINED OR DAMAGES INCURRED FROM USE OF SUCH INFORMATION IN WHOLE OR IN PART.

DATE	REV	REVISION RECORD	APP	DR	CK
9-6-05	NC	ECO 24600		YK	



NOTES:

1. MATERIALS AND FINISHES:

INSULATOR: GLASS FILLED POLYESTER PER MIL-M-24519, UL 94V-0, COLOR BLUE.

SHELLS: STEEL, ZINC PLATE WITH DICHROMATE SEAL.

HOOD: GLASS FILLED NYLON, 94V-0, BLACK.

LOCK TAB: STEEL, NICKEL PLATE.

CABLE CLAMPS: STEEL, NICKEL PLATE.

CABLE CLAMP SCREWS: BRASS, ZINC PLATE WITH DICHROMATE SEAL.

COVER SCREWS: STEEL, ZINC PLATE WITH BLUE CHROMATE SEAL.

LOCK TAB SCREWS: STEEL, ZINC PLATE.

2. ELECTRICAL CHARACTERISTICS:

INSULATOR RESISTANCE: 5 G OHMS.

WORKING VOLTAGE: 300 V r.m.s.

3. TEMPERATURE RANGE: -55°C TO +125°C.

4. DIMENSIONS ARE IN INCHES [MILLIMETERS].

 <b>POSITRONIC INDUSTRIES INC.</b> www.connectpositronic.com		SCALE	DRAWN BY
		N.T.S.	YK
DECIMAL TOL.	CBD SERIES	APPROVED BY	
± 0.015 [0.38]	TITLE	CBD8W8M00JV30	
ANGULAR TOL.	DATE	DRAWING NUMBER	REV.
± 5°	9-6-05	SK6535	NC