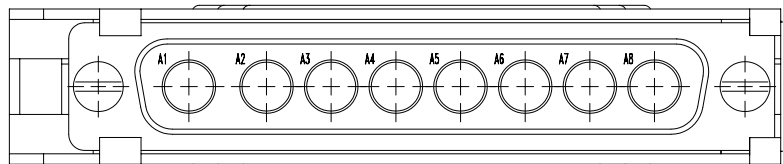
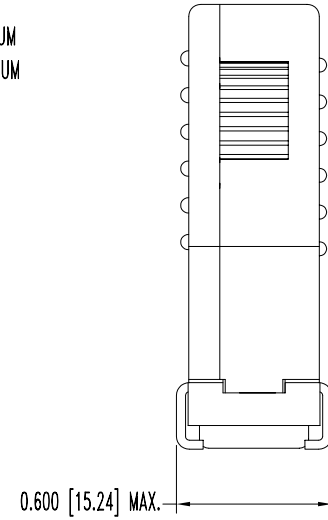
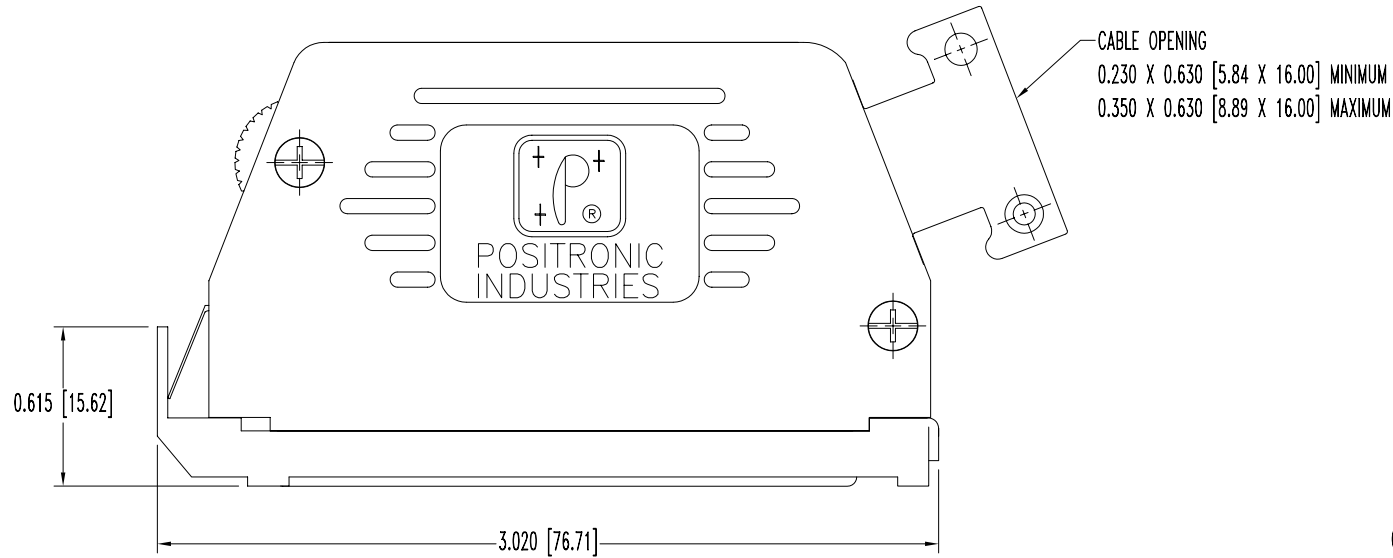


SK3640

THIS DRAWING CONTAINS INFORMATION PROPRIETARY TO POSITRONIC AND ITS SUBSIDIARIES. POSITRONIC BELIEVES THE DATA ON THIS DRAWING TO BE RELIABLE, SINCE THE TECHNICAL INFORMATION IS GIVEN FREE OF CHARGE. THE USER EMPLOYS SUCH INFORMATION AT HIS OWN DISCRETION AND RISK. POSITRONIC ASSUMES NO RESPONSIBILITY FOR RESULTS OBTAINED OR DAMAGES INCURRED FROM USE OF SUCH INFORMATION IN WHOLE OR IN PART.

DATE	REV	REVISION RECORD	APP	DR	CK
3-9-01	NC	ECO 17437	RCW	JLG	TK
12-26-07	A	ECO 28802		YK	COLE



NOTES:

- MATERIALS AND FINISHES:  
 INSULATOR: GLASS FILLED POLYESTER PER MIL-M-24519, UL 94V-0, COLOR BLUE.  
 SHELLS: STEEL, ZINC PLATE WITH DICHROMATE SEAL.  
 HOOD: GLASS-FILLED NYLON, 94V-0.
- ELECTRICAL CHARACTERISTICS:  
 INSULATOR RESISTANCE: 5 G ohms.  
 WORKING VOLTAGE: 300 V r.m.s.  
 TEMPERATURE RANGE: -55°C TO +125°C.
- DIMENSIONS ARE IN INCHES [MILLIMETERS].

		<b>POSITRONIC INDUSTRIES INC.</b> www.connectpositronic.com		FSCM 28198
		CBD SERIES		SCALE: N.T.S. DRAWN BY: J. GREEN APPROVED BY: RCW
DECIMAL TOL. ± 0.015 [0.38]		TITLE: CBD8W8M00LVLO		
ANGULAR TOL. ± 5°		DATE: 3-9-01	DRAWING NUMBER: SK3640	REV.: A