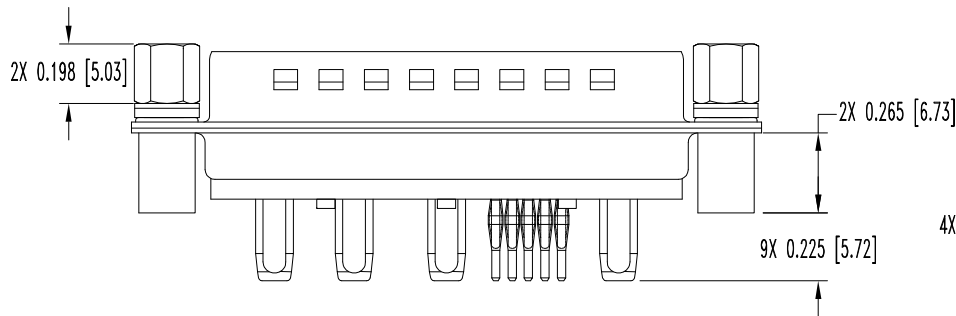
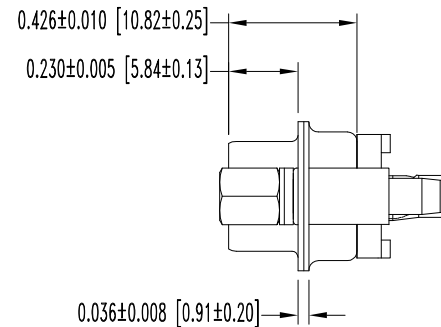
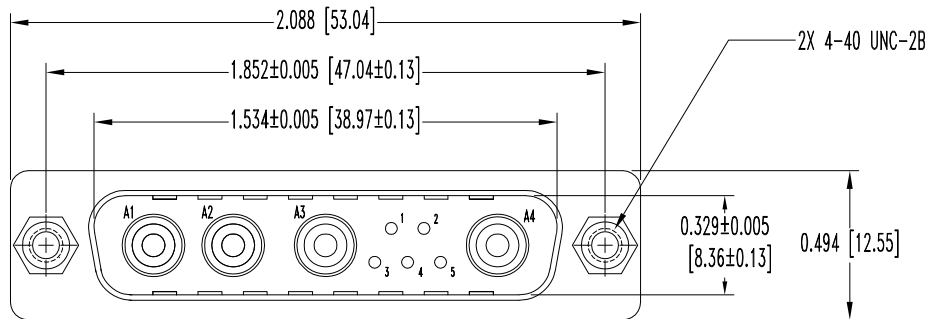
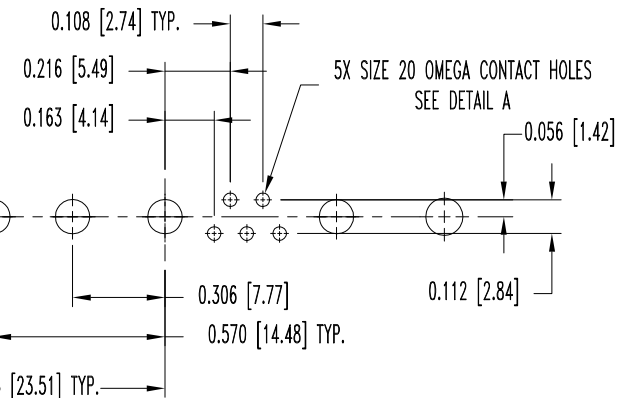


THIS DRAWING CONTAINS INFORMATION PROPRIETARY TO POSITRONIC AND ITS SUBSIDIARIES. POSITRONIC BELIEVES THE DATA ON THIS DRAWING TO BE RELIABLE. SINCE THE TECHNICAL INFORMATION IS GIVEN FREE OF CHARGE, THE USER EMPLOYS SUCH INFORMATION AT HIS OWN DISCRETION AND RISK. POSITRONIC ASSUMES NO RESPONSIBILITY FOR RESULTS OBTAINED OR DAMAGES INCURRED FROM USE OF SUCH INFORMATION IN WHOLE OR IN PART.

| DATE     | REV | REVISION RECORD | APP  | DR | CK   |
|----------|-----|-----------------|------|----|------|
| 12-22-08 | NC  | ECO 30421       | TK   | YK | COLE |
| 3-16-10  | A   | ECO 32244       | COLE | BE | SY   |
|          |     |                 |      |    |      |
|          |     |                 |      |    |      |



4X SIZE 8 BI-SPRING CONTACT HOLES  
SEE DETAIL A



CONTACT HOLE PATTERN

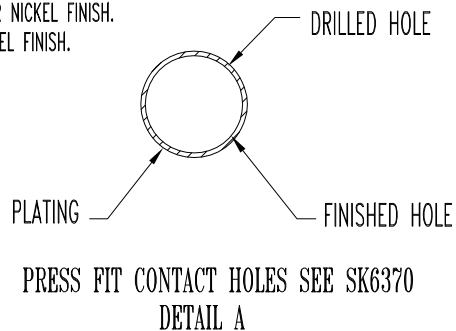
NOTES:

1. MATERIALS AND FINISHES:

- INSULATOR: GLASS FILLED POLYESTER PER ASTM D5927, UL 94V-0, BLUE COLOR.
- SIGNAL CONTACTS: PRECISION MACHINED HIGH TENSILE PHOSPHOR BRONZE, GOLD FLASH OVER NICKEL FINISH.
- POWER CONTACTS: MACHINED OF HIGH CONDUCTIVITY COPPER ALLOY, GOLD FLASH OVER NICKEL FINISH.
- SHELLS: STEEL, TIN PLATED AND DIMPLED.
- MOUNTING SPACERS: STEEL, TIN PLATE.
- JACKSCREWS: BRASS, ZINC PLATE WITH CHROMATE SEAL.
- WASHERS: STAINLESS STEEL, PASSIVATED.

2. DETAILED PRODUCT, ELECTRICAL, AND MECHANICAL INFORMATION IS AVAILABLE IN THE LATEST STANDARD DENSITY COMBO-D PRODUCT PUBLICATION. VISIT [CONNECTPOSITRONIC.COM/PRODUCTS/1/STANDARD DENSITY COMBO-D](http://CONNECTPOSITRONIC.COM/PRODUCTS/1/STANDARD DENSITY COMBO-D) OR [CONNECTPOSITRONIC.COM](http://CONNECTPOSITRONIC.COM).

3. DIMENSIONS ARE IN INCHES [MILLIMETERS].



|   |  |  |  |
|---|--|--|--|
|  <b>POSITRONIC INDUSTRIES INC.</b><br><a href="http://www.connectpositronic.com">www.connectpositronic.com</a> |  | FSCM 28198                                   |  |
|  DECIMAL TOL.<br>$\pm 0.015 [0.38]$  |  | CBD SERIES<br>TITLE<br><b>CBD9W4M93SOT2Z</b> | SCALE<br>N.T.S.<br>DRAWN BY<br>YK<br>APPROVED BY<br>T KEPLEY |
| DATE<br>12-22-08  |  | DRAWING NUMBER<br>SK10141                    |  |
| ANGULAR TOL.<br>$\pm 5^\circ$   |  | REV.<br>A                                    |  |