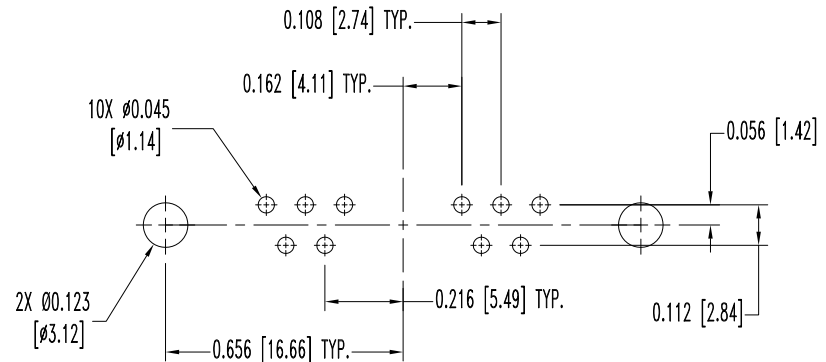
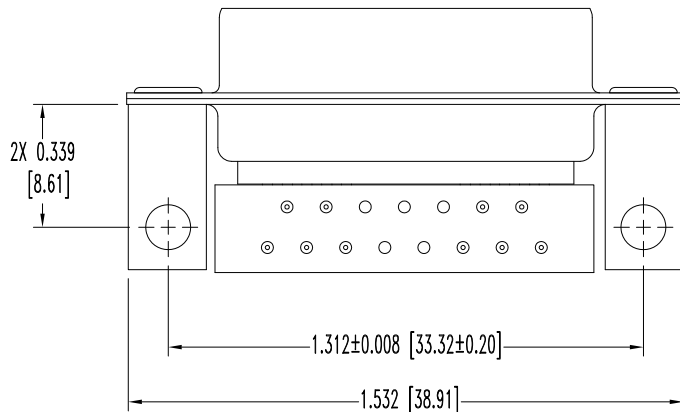
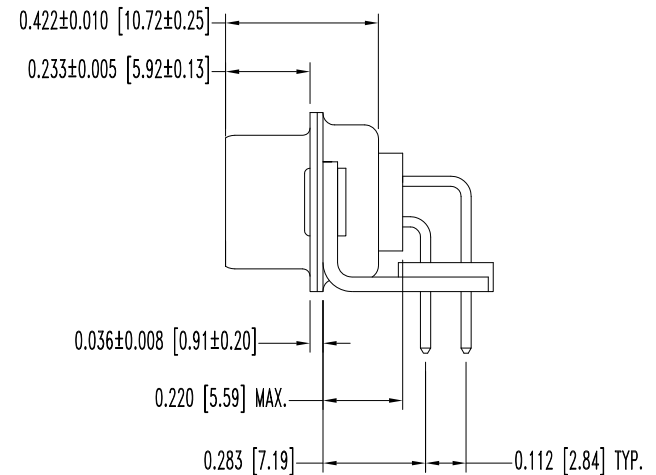
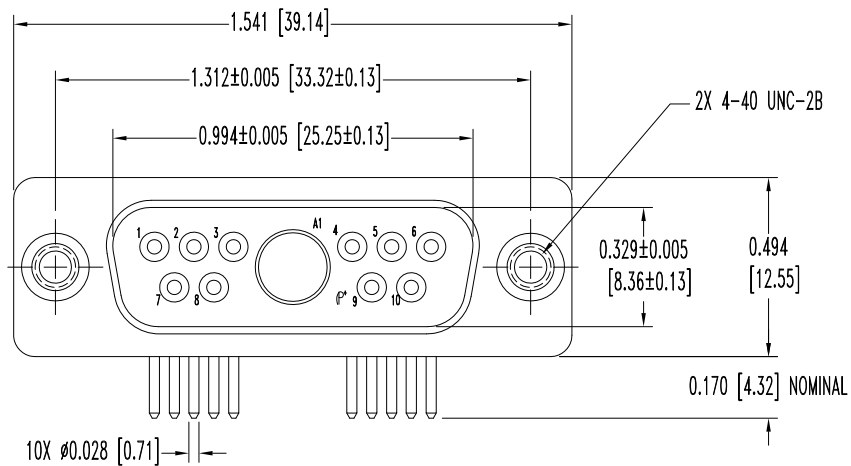


THIS DRAWING CONTAINS INFORMATION PROPRIETARY TO POSITRONIC AND ITS SUBSIDIARIES. POSITRONIC BELIEVES THE DATA ON THIS DRAWING TO BE RELIABLE. SINCE THE TECHNICAL INFORMATION IS GIVEN FREE OF CHARGE, THE USER EMPLOYS SUCH INFORMATION AT HIS OWN DISCRETION AND RISK. POSITRONIC ASSUMES NO RESPONSIBILITY FOR RESULTS OBTAINED OR DAMAGES INCURRED FROM USE OF SUCH INFORMATION IN WHOLE OR IN PART.

DATE	REV	REVISION RECORD	APP	DR	CK
12-16-08	NC	ECO 30396	RCW	YK	COLE



NOTES:

- MATERIALS AND FINISHES:**  
 INSULATOR: GLASS FILLED POLYESTER PER MIL-M-24519, UL 94V-0, BLUE COLOR.  
 CONTACTS: PRECISION MACHINED BRASS ALLOY, 0.000050 [1.27µ] GOLD OVER NICKEL FINISH.  
 SHELLS: STEEL, ZINC PLATE WITH CHROMATE SEAL.  
 ANGLE BRACKETS: BRASS, ZINC PLATE WITH CHROMATE SEAL.  
 RIVETS: BRASS, ZINC PLATE WITH CHROMATE SEAL.  
 ALIGNMENT BAR: GLASS FILLED NYLON, COLOR BLACK.
- ELECTRICAL CHARACTERISTICS:**  
 CONTACT CURRENT RATING: 7.5 AMPERES NOMINAL.  
 INITIAL CONTACT RESISTANCE: 0.008 OHMS MAXIMUM.  
 INSULATOR RESISTANCE: 5 G OHMS.  
 WORKING VOLTAGE: 300 V r.m.s.
- TEMPERATURE RANGE:** -55°C TO +125°C.
- CONNECTORS ARE ROHS COMPLIANT PER ROHS DIRECTIVE 2002/95/EC OF 27 JAN 2003.**
- DIMENSIONS ARE IN INCHES [MILLIMETERS].**

CONTACT HOLE PATTERN

	<b>POSITRONIC INDUSTRIES INC.</b> www.connectpositronic.com		FSCM 28198
	DECIMAL TOL. ± 0.015 [0.38]	CBM SERIES	SCALE N.T.S.
ANGULAR TOL. ± 5°	DATE 12-16-08	DRAWING NUMBER SK10113	APPROVED BY R WILLIAMS
TITLE CBM11W1M5R7000/AA		REV. NC	