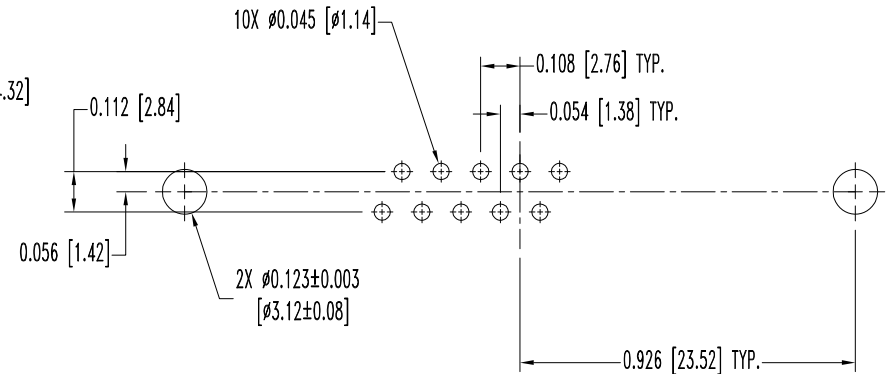
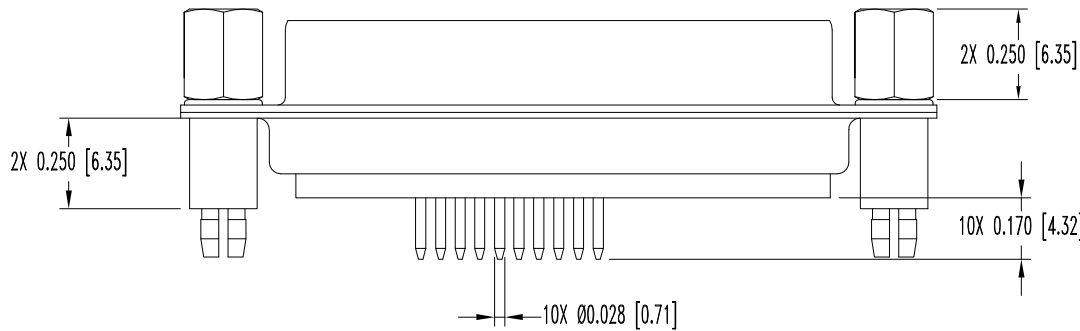
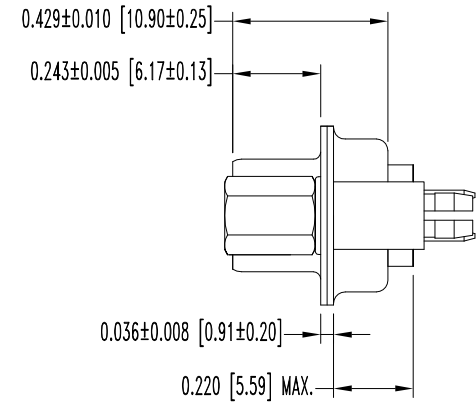
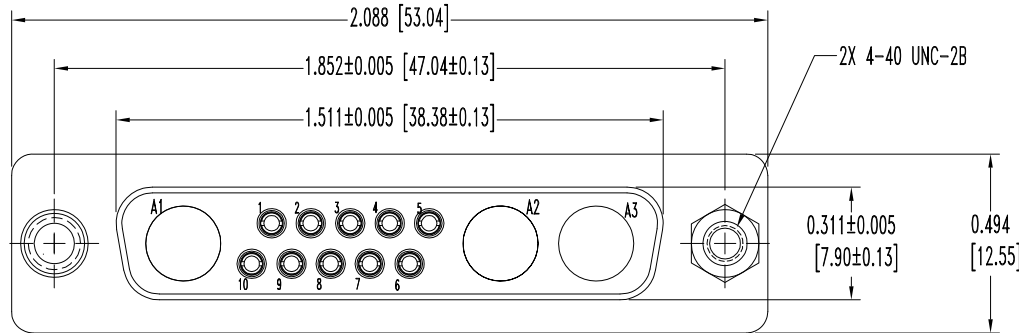


SK10726

THIS DRAWING CONTAINS INFORMATION PROPRIETARY TO POSITRONIC AND ITS SUBSIDIARIES. POSITRONIC BELIEVES THE DATA ON THIS DRAWING TO BE RELIABLE, SINCE THE TECHNICAL INFORMATION IS GIVEN FREE OF CHARGE, THE USER EMPLOYS SUCH INFORMATION AT HIS OWN DISCRETION AND RISK. POSITRONIC ASSUMES NO RESPONSIBILITY FOR RESULTS OBTAINED OR DAMAGES INCURRED FROM USE OF SUCH INFORMATION IN WHOLE OR IN PART.

DATE	REV	REVISION RECORD	APP	DR	CK
5-12-09	NC	ECO 31053	TK	BS	TK



CONTACT HOLE PATTERN

NOTES:

- MATERIALS AND FINISHES:
 - INSULATOR: GLASS FILLED POLYESTER PER MIL-M-24519 UL 94V-0, BLUE COLOR.
 - SIGNAL CONTACTS: PRECISION MACHINED HIGH TENSILE COPPER ALLOY WITH BERYLLIUM COPPER CLIP, 0.000050 [1.27µ] GOLD OVER NICKEL PLATE.
 - SHELLS: STEEL, ZINC PLATE WITH CHROMATE SEAL.
 - SWAGED SPACERS WITH PUSH FASTENERS: PHOSPHOR BRONZE, TIN PLATE.
 - JACKSCREWS: BRASS, ZINC PLATE WITH CHROMATE SEAL.
- ELECTRICAL CHARACTERISTICS:
 - CONTACT CURRENT RATING: 7.5 AMPERES NOMINAL.
 - INITIAL CONTACT RESISTANCE: 0.008 OHMS MAXIMUM.
 - INSULATOR RESISTANCE: 5 G OHMS.
 - WORKING VOLTAGE: 300 V r.m.s.
- TEMPERATURE RANGE: -55°C TO +125°C.
- DIMENSIONS ARE IN INCHES [MILLIMETERS].

	POSITRONIC INDUSTRIES INC. www.connectpositronic.com		FSCM 28198
	DECIMAL TOL. ± 0.015 [0.38]	CBM SERIES	SCALE N.T.S.
ANGULAR TOL. ± 5°	DATE 5-12-09	DRAWING NUMBER SK10726	REV. NC
TITLE CBM13W3S3S60TX			
APPROVED BY T KEPLEY			