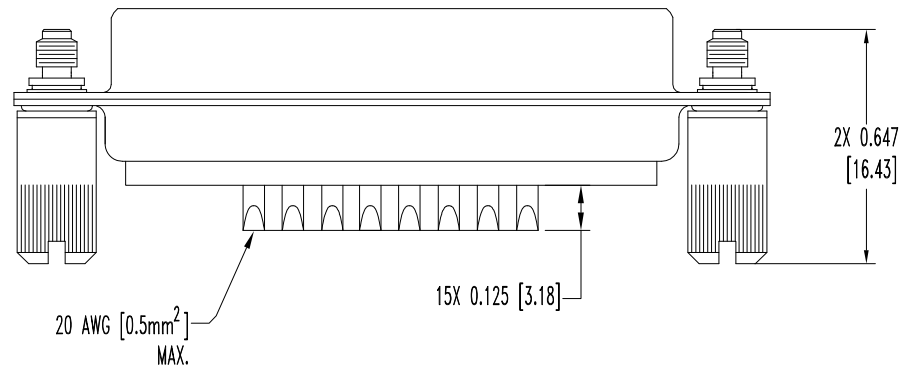
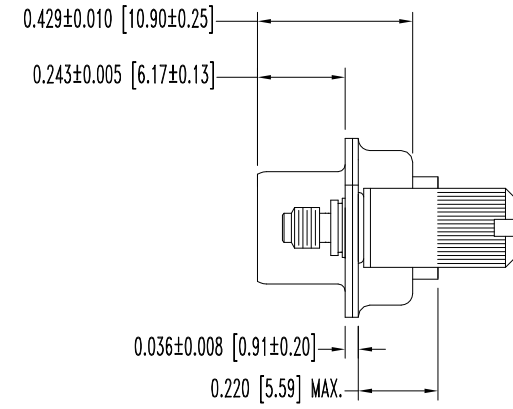
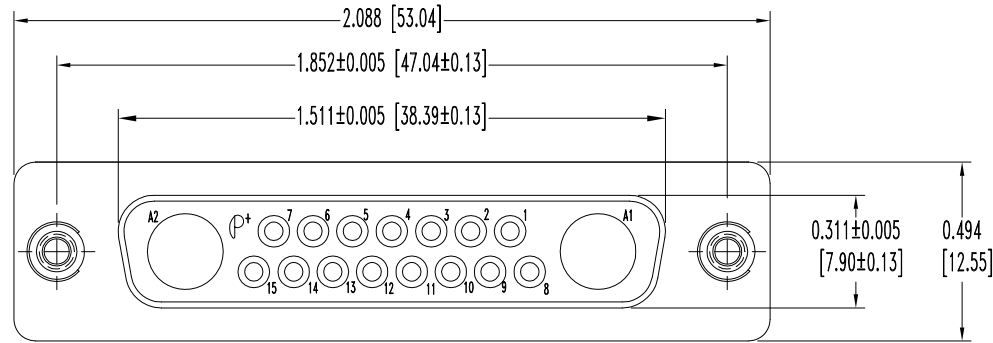


SK10734

THIS DRAWING CONTAINS INFORMATION PROPRIETARY TO POSITRONIC AND ITS SUBSIDIARIES. POSITRONIC BELIEVES THE DATA ON THIS DRAWING TO BE RELIABLE, SINCE THE TECHNICAL INFORMATION IS GIVEN FREE OF CHARGE, THE USER EMPLOYS SUCH INFORMATION AT HIS OWN DISCRETION AND RISK. POSITRONIC ASSUMES NO RESPONSIBILITY FOR RESULTS OBTAINED OR DAMAGES INCURRED FROM USE OF SUCH INFORMATION IN WHOLE OR IN PART.

DATE	REV	REVISION RECORD	APP	DR	CK
5-14-09	NC	ECO 31053	TK	BS	TK



NOTES:

- MATERIALS AND FINISHES:**  
 INSULATOR: GLASS FILLED POLYESTER PER MIL-M-24519, UL 94V-0, BLUE COLOR.  
 CONTACTS: PRECISION MACHINED HIGH TENSILE COPPER ALLOY WITH BERYLLIUM COPPER CLIP, 0.000050 [1.27µ] GOLD OVER NICKEL PLATE.  
 SHELLS: STEEL, ZINC PLATE WITH DICHROMATE SEAL.  
 JACKSCREW SYSTEMS: STEEL WITH ZINC PLATE BLUE CHROMATE SEAL.
- ELECTRICAL CHARACTERISTICS:**  
 CONTACT CURRENT RATING: 7.5 AMP. NOMINAL.  
 INITIAL CONTACT RESISTANCE: 0.008 OHMS MAXIMUM.  
 INSULATION RESISTANCE: 5 G OHMS.  
 WORKING VOLTAGE: 300 V r.m.s.
- TEMPERATURE RANGE: -55°C TO +125°C.**
- DIMENSIONS ARE IN INCHES [MILLIMETERS].**

	<b>POSITRONIC INDUSTRIES INC.</b> www.connectpositronic.com		FSCM 28198
	DECIMAL TOL. ± 0.015 [0.38]	CBM SERIES	SCALE N.T.S.
ANGULAR TOL. ± 5°	DATE 5-14-09	DRAWING NUMBER SK10734	REV. NC
TITLE <b>CBM17W2S200E0</b>			
APPROVED BY T KEPLEY			