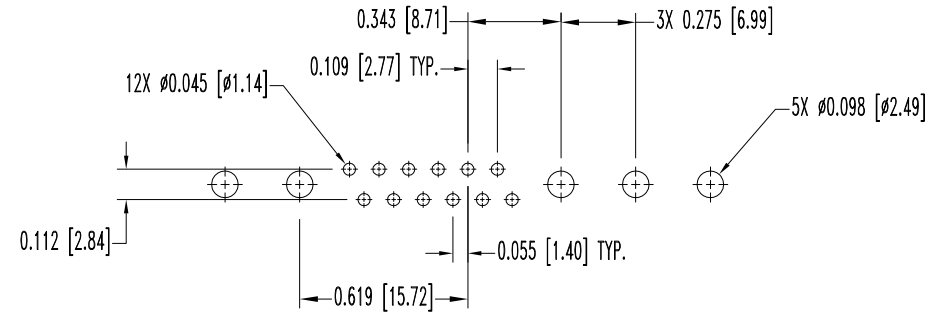
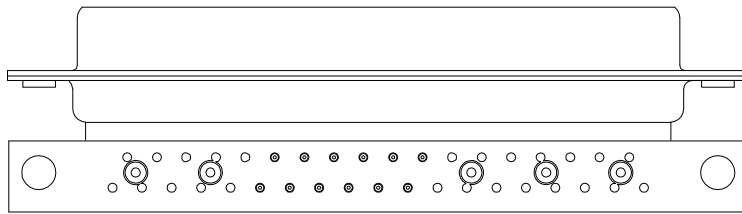
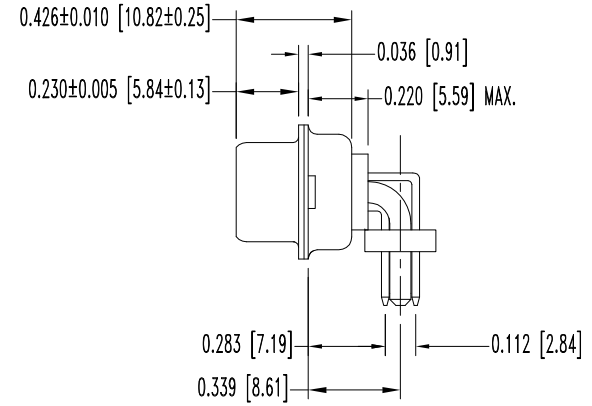
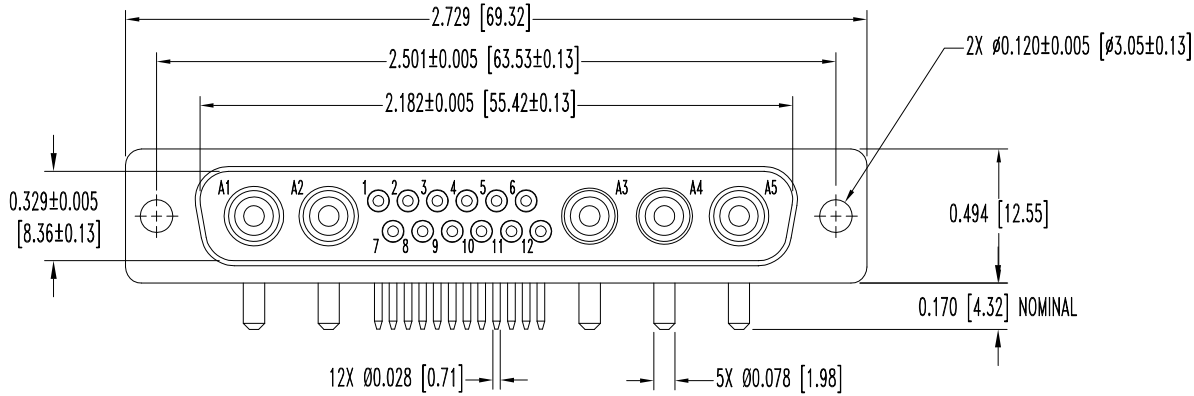


POSITRONIC INDUSTRIES BELIEVES THE DATA ON THIS DRAWING TO BE RELIABLE, SINCE THE TECHNICAL INFORMATION IS GIVEN FREE OF CHARGE, THE USER EMPLOYS SUCH INFORMATION AT HIS OWN DISCRETION AND RISK. POSITRONIC INDUSTRIES ASSUMES NO RESPONSIBILITY FOR RESULTS OBTAINED OR DAMAGES INCURRED FROM USE OF SUCH INFORMATION IN WHOLE OR IN PART.


DATE	REV	REVISION RECORD	APP	DR	CK
5-12-03	NC	ECO 20914	RW	YK	TK
3-19-10	A	ECO 32267	COLE	BE	COLE



CONTACT HOLE PATTERN

NOTES:

- MATERIALS AND FINISHES:
 INSULATOR: GLASS FILLED POLYESTER PER ASTM D5927, UL 94V-0, BLUE COLOR.
 SIGNAL CONTACTS: BRASS ALLOY, GOLD FLASH OVER NICKEL PLATE.
 POWER CONTACTS: COPPER ALLOY, GOLD FLASH OVER NICKEL PLATE.
 SHELLS: STEEL, ZINC PLATE WITH DICHROMATE SEAL.
 ALIGNMENT BAR: GLASS FILLED NYLON.
- DETAILED PRODUCT, ELECTRICAL, AND MECHANICAL INFORMATION IS AVAILABLE IN THE LATEST STANDARD DENSITY COMBO-D PRODUCT PUBLICATION. VISIT CONNECTPOSITRONIC.COM/PRODUCTS/1/STANDARD DENSITY COMBO-D OR CONNECTPOSITRONIC.COM.
- DIMENSIONS ARE IN INCHES [MILLIMETERS].

 POSITRONIC INDUSTRIES INC. www.connectpositronic.com		SCALE	DRAWN BY
		N.T.S.	Y.KELLEYBREW
DECIMAL TOL.	CBM	APPROVED BY	RW
± 0.015 [0.38]	TITLE	CBM17W5M550000	
ANGULAR TOL.	DATE	DRAWING NUMBER	REV.
± 2°	5-12-03	SK5011	A