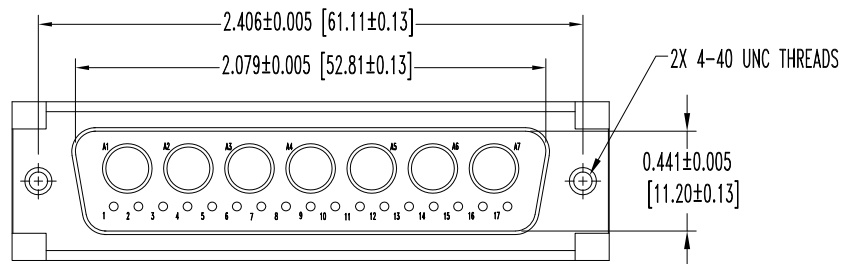
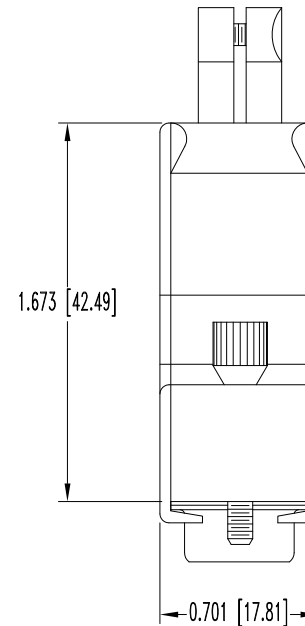
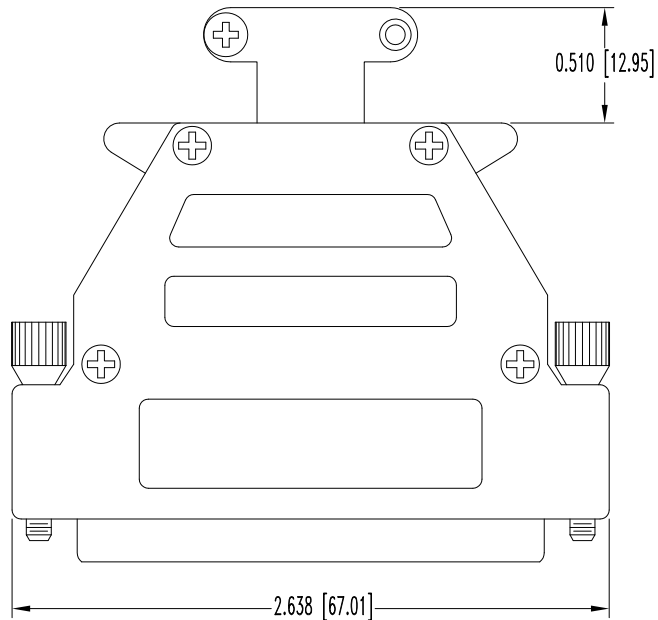


SK9218

THIS DRAWING CONTAINS INFORMATION PROPRIETARY TO POSITRONIC AND ITS SUBSIDIARIES. POSITRONIC BELIEVES THE DATA ON THIS DRAWING TO BE RELIABLE, SINCE THE TECHNICAL INFORMATION IS GIVEN FREE OF CHARGE, THE USER EMPLOYS SUCH INFORMATION AT HIS OWN DISCRETION AND RISK. POSITRONIC ASSUMES NO RESPONSIBILITY FOR RESULTS OBTAINED OR DAMAGES INCURRED FROM USE OF SUCH INFORMATION IN WHOLE OR IN PART.

DATE	REV	REVISION RECORD	APP	DR	CK
2-1-08	NC	ECO 28929		YK	COLE



NOTES:

1. MATERIALS AND FINISHES:

- INSULATOR: GLASS FILLED POLYESTER PER MIL-M-24519 UL 94V-0, BLUE COLOR.
- CONTACTS: PRECISION MACHINED BRASS ALLOY, GOLD FLASH OVER NICKEL FINISH..
- SHELLS: STAINLESS STEEL, PASSIVATED.
- HOOD: ZINC, DIE CAST.
- JACKSCREWS: STEEL WITH NICKEL PLATE.
- CABLE CLAMPS: ZINC, DIE CAST.
- SCREWS: STEEL WITH NICKEL PLATE.

2. ELECTRICAL CHARACTERISTICS:

- CONTACT CURRENT RATING: 7.5 AMPERES NOMINAL.
- INITIAL CONTACT RESISTANCE: 0.008 OHMS MAXIMUM.
- INSULATOR RESISTANCE: 5 G OHMS.
- WORKING VOLTAGE: 300 V r.m.s.

3. TEMPERATURE RANGE: -55°C TO +125°C.

4. DIMENSIONS ARE IN INCHES [MILLIMETERS].

	<b>POSITRONIC INDUSTRIES INC.</b> www.connectpositronic.com		FSCM 28198
		<b>CBM SERIES</b>	SCALE: N.T.S. DRAWN BY: YK
DECIMAL TOL. $\pm 0.015 [0.38]$	TITLE: <b>CBM24W7M20GES</b>		
ANGULAR TOL. $\pm 5^\circ$	DATE: 2-1-08	DRAWING NUMBER: SK9218	REV.: NC