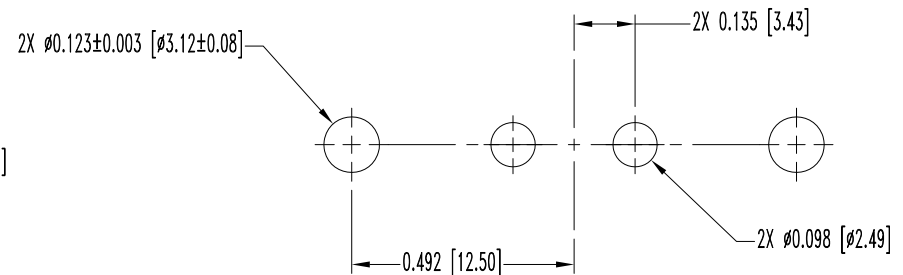
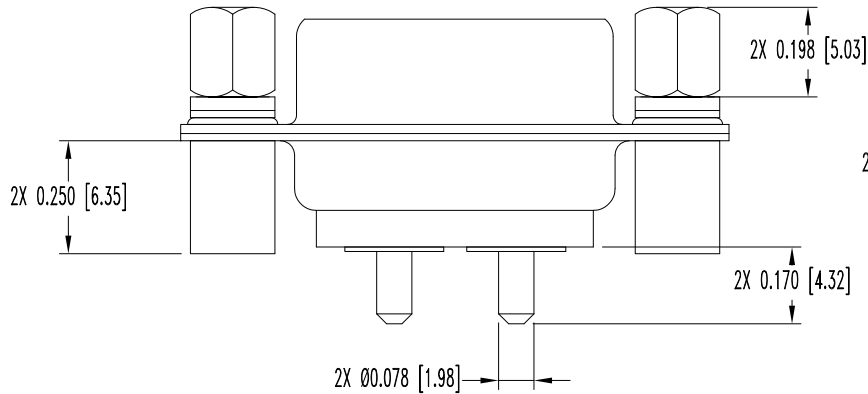
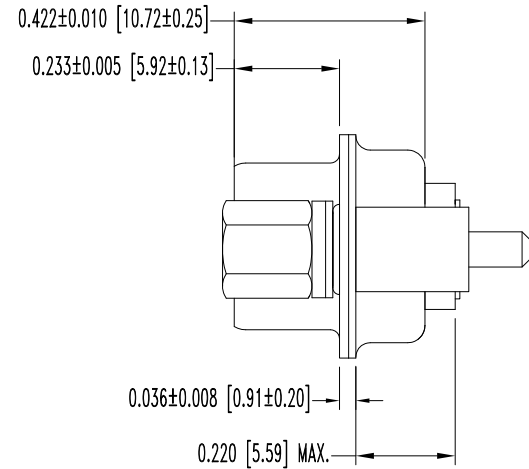
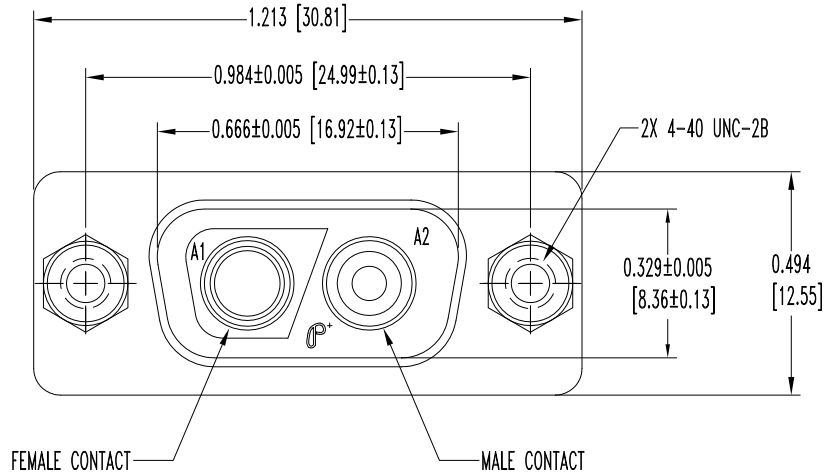


SK10364

THIS DRAWING CONTAINS INFORMATION PROPRIETARY TO POSITRONIC AND ITS SUBSIDIARIES. POSITRONIC BELIEVES THE DATA ON THIS DRAWING TO BE RELIABLE. SINCE THE TECHNICAL INFORMATION IS GIVEN FREE OF CHARGE, THE USER EMPLOYS SUCH INFORMATION AT HIS OWN DISCRETION AND RISK. POSITRONIC ASSUMES NO RESPONSIBILITY FOR RESULTS OBTAINED OR DAMAGES INCURRED FROM USE OF SUCH INFORMATION IN WHOLE OR IN PART.

DATE	REV	REVISION RECORD	APP	DR	CK
2-11-09	NC	ECO 30624	RCW	BS	TK



NOTES:

- MATERIALS AND FINISHES:
 INSULATOR: GLASS FILLED POLYESTER PER MIL-M-24519 UL 94V-0, COLOR BLUE.
 MALE CONTACT: PRECISION MACHINED BRASS ALLOY, GOLD FLASH OVER NICKEL.
 FEMALE CONTACT: PRECISION MACHINED BRASS ALLOY, GOLD FLASH OVER NICKEL.
 SHELLS: STEEL, ZINC PLATE WITH CHROMATE SEAL.
 SWAGED SPACER: STEEL, ZINC PLATE WITH CHROMATE SEAL.
- ELECTRICAL CHARACTERISTICS:
 CONTACT CURRENT RATING: 15 AMPERES NOMINAL.
 INITIAL CONTACT RESISTANCE: 0.0005 OHMS. MAX.
 INSULATOR RESISTANCE: 5 G OHMS.
 WORKING VOLTAGE: 300 V r.m.s.
- TEMPERATURE RANGE: -55°C TO +125°C.
- DIMENSIONS ARE IN INCHES [MILLIMETERS].

CONTACT HOLE PATTERN

	POSITRONIC INDUSTRIES INC. www.connectpositronic.com		FSCM 28198
	DECIMAL TOL. ± 0.015 [0.38]	CBM SERIES	SCALE N.T.S.
ANGULAR TOL. ± 5°	DATE 2-12-09	DRAWING NUMBER SK10364	REV. NC
TITLE CBM2WK2M35SOT20			
APPROVED BY R WILLIAMS			