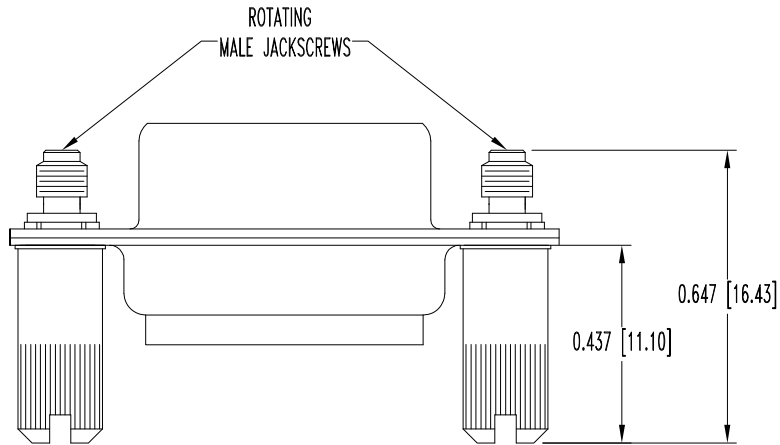
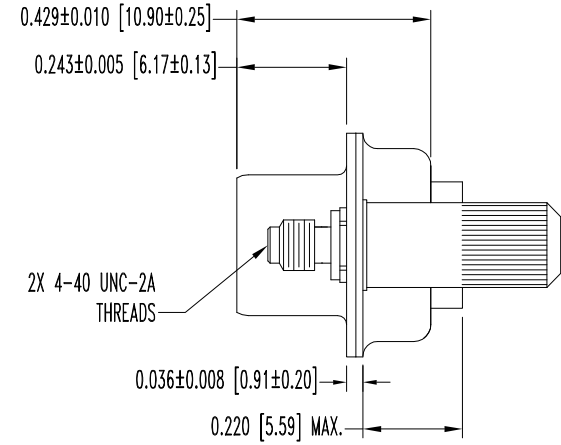
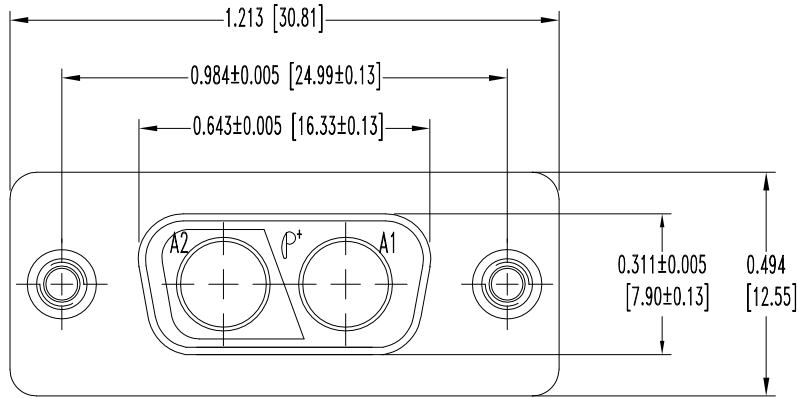


SK10750

THIS DRAWING CONTAINS INFORMATION PROPRIETARY TO POSITRONIC AND ITS SUBSIDIARIES. POSITRONIC BELIEVES THE DATA ON THIS DRAWING TO BE RELIABLE. SINCE THE TECHNICAL INFORMATION IS GIVEN FREE OF CHARGE, THE USER EMPLOYS SUCH INFORMATION AT HIS OWN DISCRETION AND RISK. POSITRONIC ASSUMES NO RESPONSIBILITY FOR RESULTS OBTAINED OR DAMAGES INCURRED FROM USE OF SUCH INFORMATION IN WHOLE OR IN PART.

DATE	REV	REVISION RECORD	APP	DR	CK
8-05-09	NC	ECO 31055	RCW	BS	TK



NOTES:

- MATERIALS AND FINISHES:  
 INSULATOR: GLASS FILLED POLYESTER PER MIL-M-24519 UL 94V-0, COLOR BLUE.  
 SHELLS: STEEL, ZINC FINISH WITH CHROMATE SEAL.  
 JACKSCREWS: STEEL, ZINC PLATE WITH CHROMATE SEAL.
- ELECTRICAL CHARACTERISTICS:  
 INSULATOR RESISTANCE: 5 G OHMS.  
 WORKING VOLTAGE: 300 V r.m.s.
- TEMPERATURE RANGE: -55°C TO +125°C.
- DIMENSIONS ARE IN INCHES [MILLIMETERS].

		<b>POSITRONIC INDUSTRIES INC.</b> www.connectpositronic.com		FSCM 28198
		CBM SERIES	SCALE N.T.S.	DRAWN BY B SHELLEDY
DECIMAL TOL. ± 0.015 [0.38]		TITLE CBM2WK2S000E0		
ANGULAR TOL. ± 5°		DATE 8-05-09	DRAWING NUMBER SK10750	REV. NC