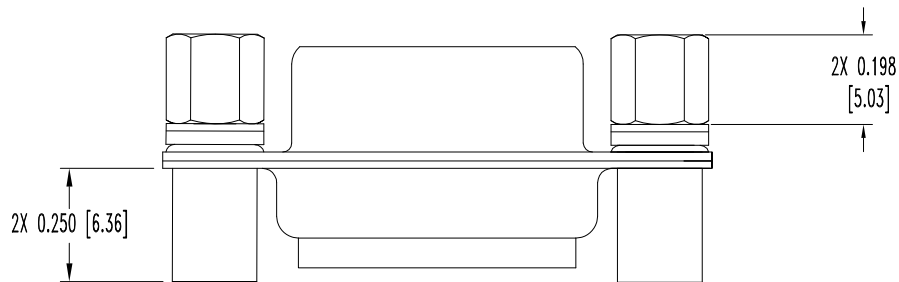
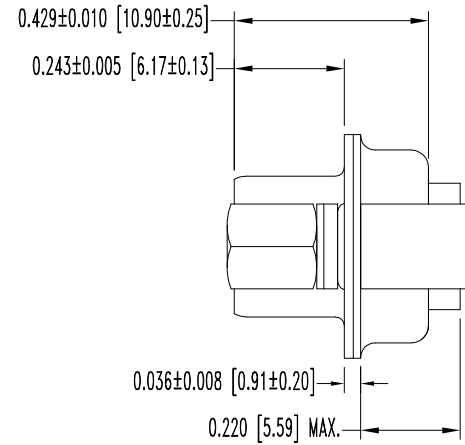
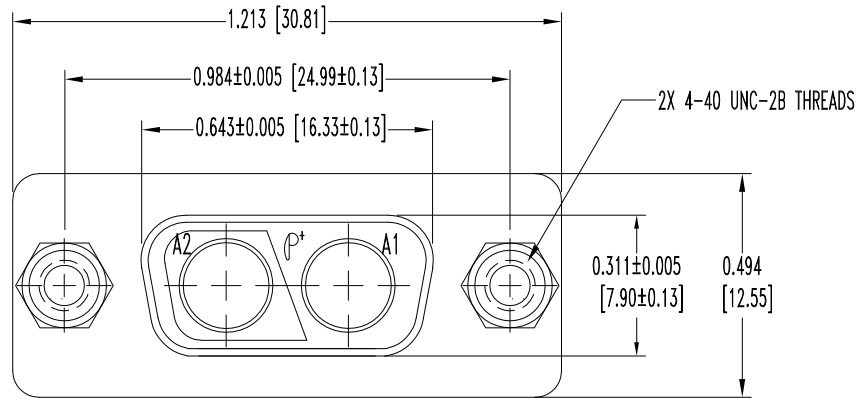


SK10751

THIS DRAWING CONTAINS INFORMATION PROPRIETARY TO POSITRONIC AND ITS SUBSIDIARIES. POSITRONIC RELIEVES THE DATA ON THIS DRAWING TO BE RELIABLE. SINCE THE TECHNICAL INFORMATION IS GIVEN FREE OF CHARGE, THE USER EMPLOYS SUCH INFORMATION AT HIS OWN DISCRETION AND RISK. POSITRONIC ASSUMES NO RESPONSIBILITY FOR RESULTS OBTAINED OR DAMAGES INCURRED FROM USE OF SUCH INFORMATION IN WHOLE OR IN PART.

DATE	REV	REVISION RECORD	APP	DR	CK
8-05-09	NC	ECO 31055	RCW	BS	TK



NOTES:

- MATERIALS AND FINISHES:
 - INSULATOR: GLASS FILLED POLYESTER PER MIL-M-24519 UL 94V-0, COLOR BLUE.
 - SHELLS: STEEL, ZINC FINISH WITH CHROMATE SEAL.
 - JACKSCREWS: STEEL, ZINC PLATE WITH CHROMATE SEAL.
 - SPACERS: STEEL, ZINC PLATE WITH CHROMATE SEAL.
 - WASHERS: STAINLESS STEEL, PASSIVATED.
- ELECTRICAL CHARACTERISTICS:
 - INSULATOR RESISTANCE: 5 G OHMS.
 - WORKING VOLTAGE: 300 V r.m.s.
- TEMPERATURE RANGE: -55°C TO +125°C.
- DIMENSIONS ARE IN INCHES [MILLIMETERS].

	POSITRONIC INDUSTRIES INC. www.connectpositronic.com		FSCM 28198
	DECIMAL TOL. ± 0.015 [0.38]	CBM SERIES	SCALE N.T.S.
	TITLE CBM2WK2S0S0T20		
ANGULAR TOL. ± 5°	DATE 8-05-09	DRAWING NUMBER SK10751	REV. NC
		APPROVED BY R WILLIAMS	