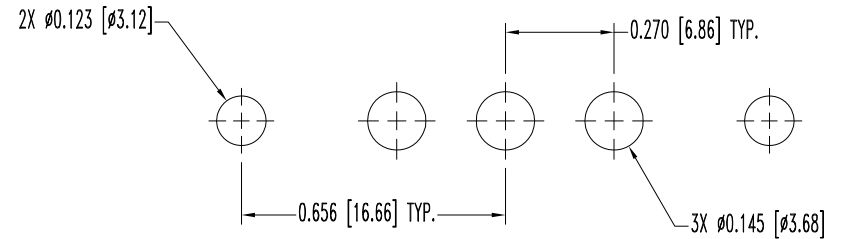
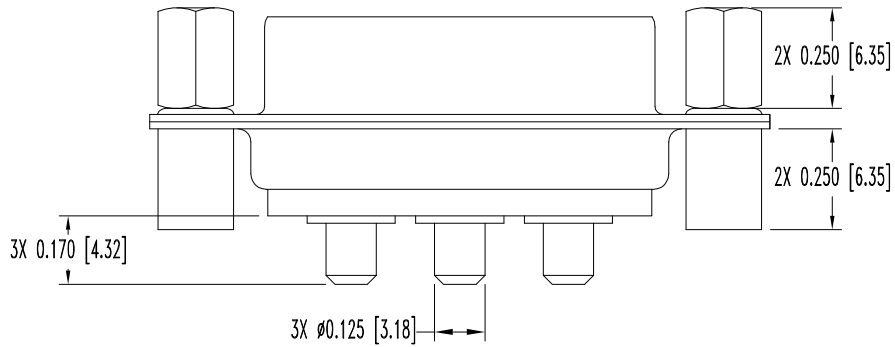
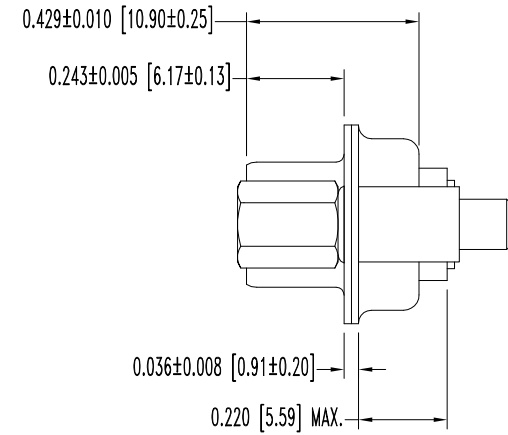
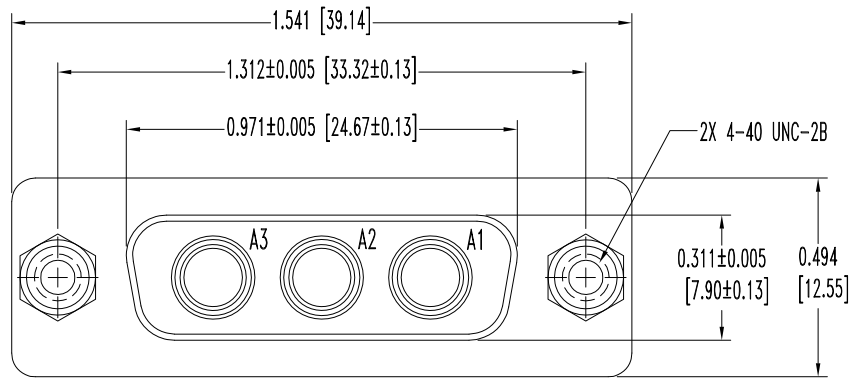


SK10755

THIS DRAWING CONTAINS INFORMATION PROPRIETARY TO POSITRONIC AND ITS SUBSIDIARIES. POSITRONIC BELIEVES THE DATA ON THIS DRAWING TO BE RELIABLE. SINCE THE TECHNICAL INFORMATION IS GIVEN FREE OF CHARGE, THE USER EMPLOYS SUCH INFORMATION AT HIS OWN DISCRETION AND RISK. POSITRONIC ASSUMES NO RESPONSIBILITY FOR RESULTS OBTAINED OR DAMAGES INCURRED FROM USE OF SUCH INFORMATION IN WHOLE OR IN PART.

DATE	REV	REVISION RECORD	APP	DR	CK
8-05-09	NC	ECO 31055	RCW	BS	TK



CONTACT HOLE PATTERN

NOTES:

- MATERIALS AND FINISHES:
 - INSULATORS: GLASS FILLED POLYESTER PER MIL-M-24519, UL 94V-0, BLUE COLOR.
 - CONTACT: HIGH CONDUCTIVITY COPPER ALLOY, GOLD FLASH OVER NICKEL PLATE.
 - SHELLS: STEEL, ZINC PLATE WITH CHROMATE SEAL.
 - JACKSCREWS: STEEL, ZINC PLATE WITH CHROMATE SEAL.
 - SPACER: STEEL, ZINC PLATE WITH CHROMATE SEAL.
- ELECTRICAL CHARACTERISTICS:
 - INSULATOR RESISTANCE: 5 G OHMS.
 - CONTACT CURRENT RATING: 30 AMPERES NOMINAL
 - INITIAL CONTACT RESISTANCE: 0.008 OHMS, MAX.
 - WORKING VOLTAGE: 300 V r.m.s.
 - TEMPERATURE RANGE: -55°C TO +125°C.
- DIMENSIONS ARE IN INCHES [MILLIMETERS].

	POSITRONIC INDUSTRIES INC. www.connectpositronic.com		FSCM 28198
	DECIMAL TOL. ± 0.015 [0.38]	CBM SERIES	SCALE N.T.S.
ANGULAR TOL. ± 5°	TITLE CBM3W3S37S0T0		APPROVED BY R WILLIAMS
DATE 8-05-09	DRAWING NUMBER SK10755	REV. NC	