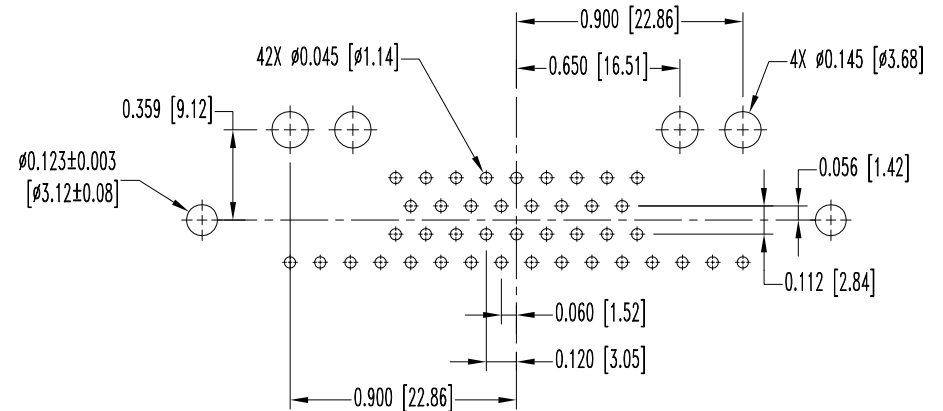
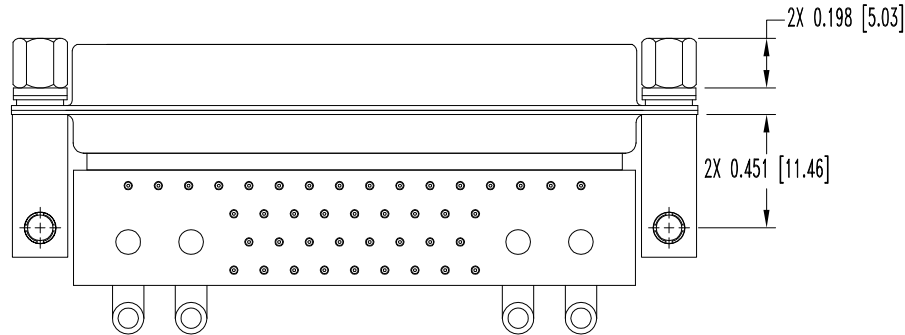
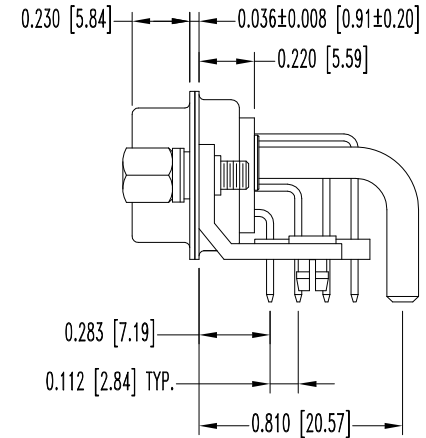
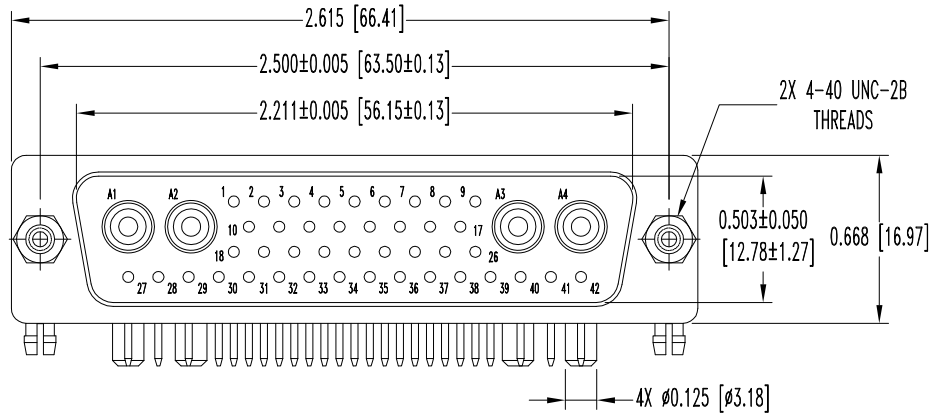


THIS DRAWING CONTAINS INFORMATION PROPRIETARY TO POSITRONIC AND ITS SUBSIDIARIES. POSITRONIC BELIEVES THE DATA ON THIS DRAWING TO BE RELIABLE. SINCE THE TECHNICAL INFORMATION IS GIVEN FREE OF CHARGE, THE USER EMPLOYS SUCH INFORMATION AT HIS OWN DISCRETION AND RISK. POSITRONIC ASSUMES NO RESPONSIBILITY FOR RESULTS OBTAINED OR DAMAGES INCURRED FROM USE OF SUCH INFORMATION IN WHOLE OR IN PART.

DATE	REV	REVISION RECORD	APP	DR	CK
11-17-09	NC	ECO 31755	TK	BS	TK



NOTES:

1. MATERIALS AND FINISHES:

- INSULATOR: GLASS FILLED POLYESTER PER MIL-M-24519, UL 94V-0, COLOR: BLUE.
- SHELLS: STEEL, ZINC PLATE WITH CHROMATE SEAL.
- SIGNAL CONTACTS: PRECISION MACHINED COPPER ALLOY, 0.000050 [1.27µ] GOLD OVER NICKEL PLATE.
- POWER CONTACTS: PRECISION MACHINED COPPER ALLOY, GOLD FLASH OVER NICKEL PLATE.
- ANGLE BRACKETS: BRASS, ZINC PLATE WITH CHROMATE SEAL.
- RIVETS: BRASS, ZINC PLATE WITH CHROMATE SEAL.
- JACKSCREWS: BRASS, ZINC PLATE WITH CHROMATE SEAL.

2. ELECTRICAL CHARACTERISTICS:

- SIGNAL CONTACTS:
  - CONTACT CURRENT RATING: 7.5 AMPERES NOMINAL.
  - INITIAL CONTACT RESISTANCE: 0.008 OHMS MAX.
- POWER CONTACTS:
  - CONTACT CURRENT RATING: 70 AMPERES NOMINAL, TESTED PER UL 1977
  - INITIAL CONTACT RESISTANCE: 0.0005 OHMS MAX. PER IEC 512-2, TEST 2b.
- WORKING VOLTAGE: 300 V rms

3. TEMPERATURE RANGE: -55°C TO +125°C

4. DIMENSIONS ARE IN INCHES [MILLIMETERS]

 <b>POSITRONIC INDUSTRIES INC.</b> www.connectpositronic.com		FSCM 28198	
DECIMAL TOL. ± 0.015 [0.38]		SCALE N.T.S.	DRAWN BY B SHELEDDY
TITLE CBM46W4M57R7NT20		APPROVED BY T KEPLEY	
DATE 11-17-09		DRAWING NUMBER SK11147	
ANGULAR TOL. ± 5°		REV. NC	