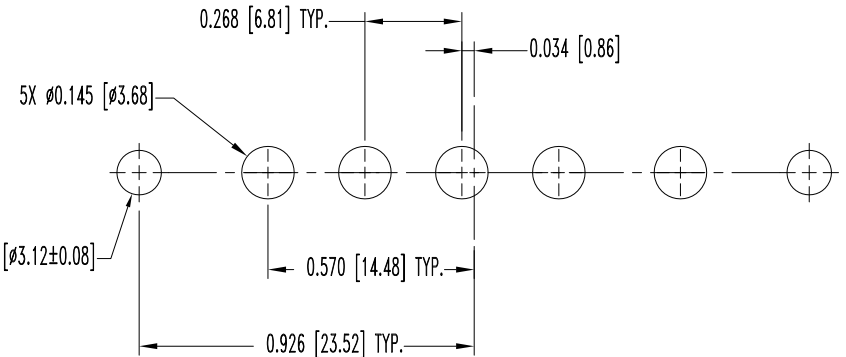
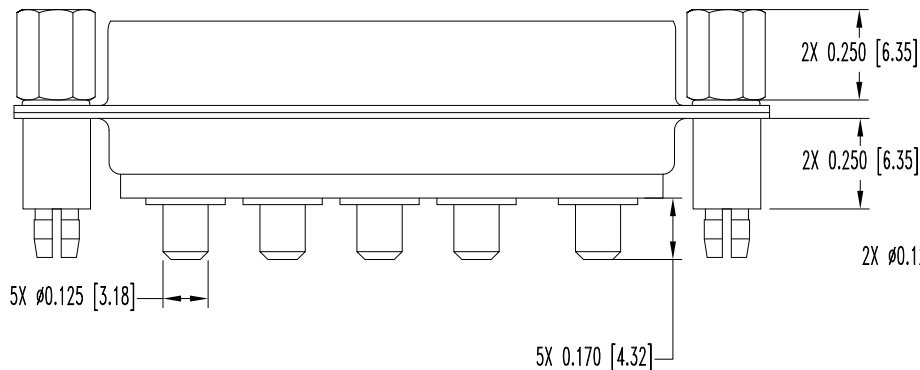
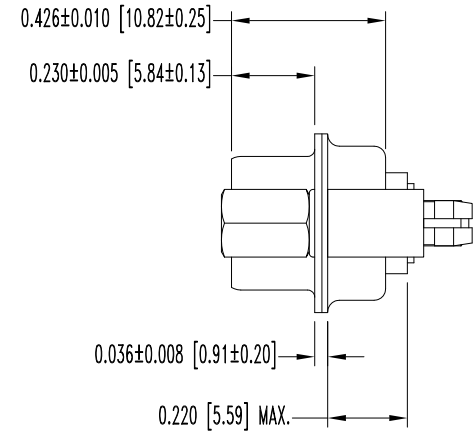
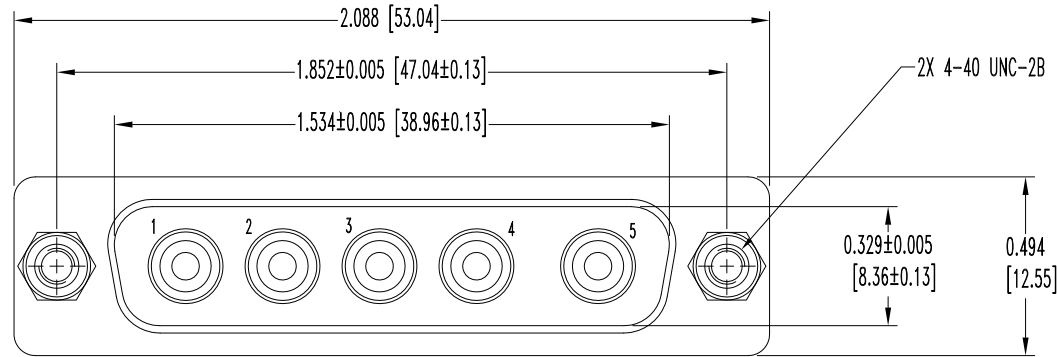


SK10402

THIS DRAWING CONTAINS INFORMATION PROPRIETARY TO POSITRONIC AND ITS SUBSIDIARIES. POSITRONIC BELIEVES THE DATA ON THIS DRAWING TO BE RELIABLE, SINCE THE TECHNICAL INFORMATION IS GIVEN FREE OF CHARGE, THE USER EMPLOYS SUCH INFORMATION AT HIS OWN DISCRETION AND RISK. POSITRONIC ASSUMES NO RESPONSIBILITY FOR RESULTS OBTAINED OR DAMAGES INCURRED FROM USE OF SUCH INFORMATION IN WHOLE OR IN PART.

DATE	REV	REVISION RECORD	APP	DR	CK
2-27-09	NC	ECO 30696	RCW	BS	COLE



NOTES:

- MATERIALS AND FINISHES:  
 INSULATOR: GLASS FILLED POLYESTER PER MIL-M-24519 UL 94V-0, BLUE COLOR.  
 CONTACTS: MACHINED OF HIGH CONDUCTIVITY COPPER ALLOY, 0.000050 [1.27μ] OVER NICKEL PLATE.  
 SHELLS: STEEL WITH TIN PLATE.  
 JACKSCREWS: BRASS, ZINC PLATE WITH CHROMATE SEAL.  
 PUSH-ON FASTENERS: PHOSPHOR BRONZE WITH TIN PLATE.
- ELECTRICAL CHARACTERISTICS:  
 CONTACT CURRENT RATING: 30 AMPERES NOMINAL.  
 INITIAL CONTACT RESISTANCE: 0.0005 OHMS MAXIMUM.  
 INSULATOR RESISTANCE: 5 G OHMS.  
 WORKING VOLTAGE: 300 V r.m.s.
- TEMPERATURE RANGE: -55°C TO +125°C.
- MOS CALLS FOR POWER CONTACTS TO BE PLATED 0.000050 [1.27μ] GOLD OVER NICKEL PLATE.
- DIMENSIONS ARE IN INCHES [MILLIMETERS].

CONTACT HOLE PATTERN

	<b>POSITRONIC INDUSTRIES INC.</b> www.connectpositronic.com		FSCM 28198
	DECIMAL TOL. ± 0.015 [0.38]	CBM SERIES	SCALE N.T.S.
ANGULAR TOL. ± 5°	DATE 2-27-09	DRAWING NUMBER SK10402	REV. NC
TITLE CBM5W5M37S60TX-1062.0			
APPROVED BY R WILLIAMS			