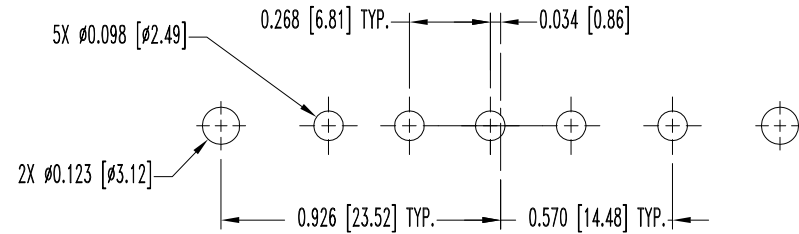
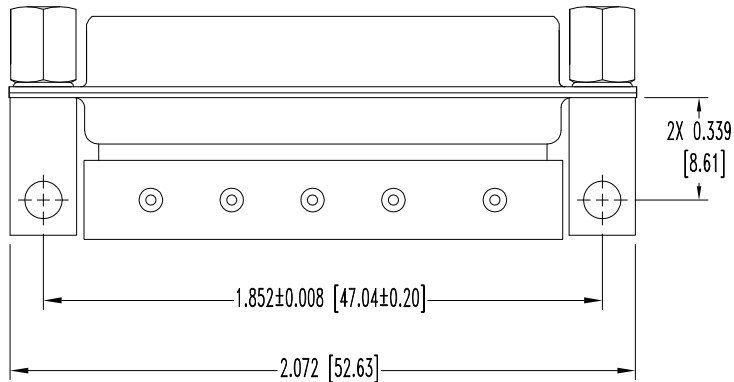
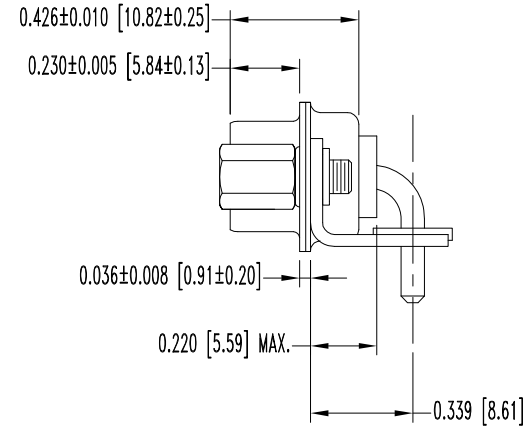
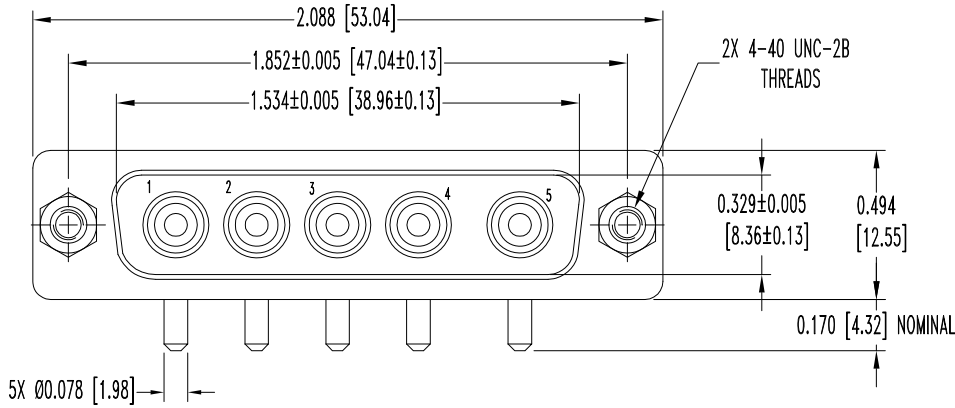


THIS DRAWING CONTAINS INFORMATION PROPRIETARY TO POSITRONIC AND ITS SUBSIDIARIES. POSITRONIC BELIEVES THE DATA ON THIS DRAWING TO BE RELIABLE. SINCE THE TECHNICAL INFORMATION IS GIVEN FREE OF CHARGE, THE USER EMPLOYS SUCH INFORMATION AT HIS OWN DISCRETION AND RISK. POSITRONIC ASSUMES NO RESPONSIBILITY FOR RESULTS OBTAINED OR DAMAGES INCURRED FROM USE OF SUCH INFORMATION IN WHOLE OR IN PART.

DATE	REV	REVISION RECORD	APP	DR	CK
3-27-09	NC	ECO 30843	RCW	BS	COLE
3-23-10	A	ECO 32270	COLE	BE	COLE



CONTACT HOLE PATTERN

NOTES:

- MATERIALS AND FINISHES:  
 INSULATORS: GLASS FILLED POLYESTER PER ASTM D5927, UL 94V-0, BLUE COLOR.  
 CONTACT: PRECISION MACHINED COPPER ALLOY, GOLD FLASH OVER NICKEL PLATE.  
 SHELLS: STEEL WITH TIN PLATE.  
 MOUNTING BRACKETS: BRASS WITH TIN PLATE.  
 RIVETS: BRASS, ZINC PLATE WITH CHROMATE SEAL.  
 JACKSCREWS: BRASS, ZINC PLATE WITH CHROMATE SEAL.  
 ALIGNMENT BAR: GLASS FILLED NYLON, COLOR: BLACK
- DETAILED PRODUCT, ELECTRICAL, AND MECHANICAL INFORMATION IS AVAILABLE IN THE LATEST STANDARD DENSITY COMBO-D PRODUCT PUBLICATION.  
 VISIT [CONNECTPOSITRONIC.COM/PRODUCTS/1/STANDARD DENSITY COMBO-D OR CONNECTPOSITRONIC.COM](http://CONNECTPOSITRONIC.COM/PRODUCTS/1/STANDARD DENSITY COMBO-D OR CONNECTPOSITRONIC.COM).
- DIMENSIONS ARE IN INCHES [MILLIMETERS].

		<b>POSITRONIC INDUSTRIES INC.</b> www.connectpositronic.com		FSCM 28198
DECIMAL TOL. ± 0.015 [0.38]		CBM SERIES	SCALE N.T.S.	DRAWN BY B SHELEDY
		APPROVED BY R WILLIAMS		
		TITLE CBM5W5M55R70TX		
ANGULAR TOL. ± 5°		DATE 3-27-09	DRAWING NUMBER SK10471	REV. A