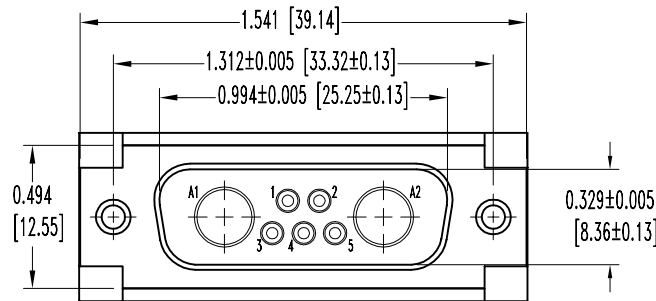
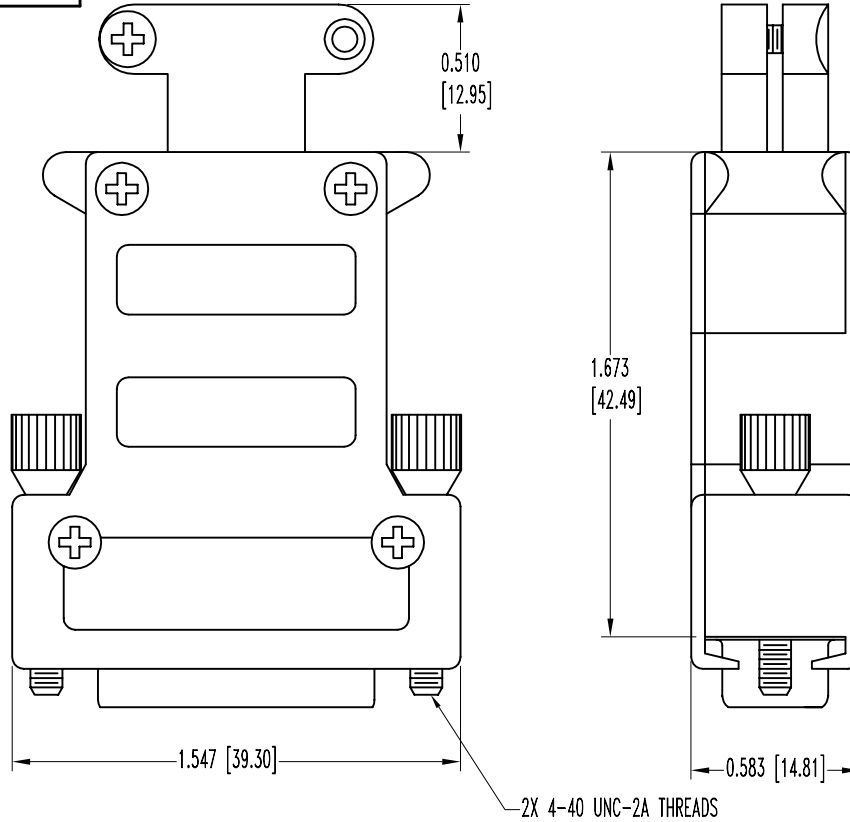


SK4988

POSITRONIC INDUSTRIES BELIEVES THE DATA ON THIS DRAWING TO BE RELIABLE. SINCE THE TECHNICAL INFORMATION IS GIVEN FREE OF CHARGE, THE USER EMPLOYS SUCH INFORMATION AT HIS OWN DISCRETION AND RISK. POSITRONIC INDUSTRIES ASSUMES NO RESPONSIBILITY FOR RESULTS OBTAINED OR DAMAGES INCURRED FROM USE OF SUCH INFORMATION IN WHOLE OR IN PART.

DATE	REV	REVISION RECORD	APP	DR	CK
4-15-03	NC	ECO 20817		ME	



NOTES:

- MATERIALS AND FINISHES:  
 INSULATOR: GLASS FILLED POLYESTER PER MIL-M-24519 UL 94V-0, BLUE COLOR.  
 CONTACTS: PRECISION MACHINED BRASS ALLOY, 0.000050 [1.27μ] GOLD OVER NICKEL PLATE.  
 SHELLS: STEEL, ZINC PLATED WITH DICHROMATE SEAL.  
 HOOD: ZINC, DIE CAST.  
 JACKSCREW SYSTEMS: STEEL WITH ZINC PLATE.
- ELECTRICAL CHARACTERISTICS:  
 CONTACT CURRENT RATING: 7.5 AMPERES NOMINAL.  
 INITIAL CONTACT RESISTANCE: 0.008 OHMS MAXIMUM.  
 INSULATOR RESISTANCE: 5 G OHMS.  
 WORKING VOLTAGE: 300 V r.m.s.
- TEMPERATURE RANGE: -55°C TO +125°C.
- DIMENSIONS ARE IN INCHES [MILLIMETERS].

 <b>POSITRONIC INDUSTRIES INC.</b> <a href="http://www.connectpositronic.com">www.connectpositronic.com</a>		SCALE		DRAWN BY	
 DECIMAL TOL. $\pm 0.015$ [0.38]		<b>CBM SERIES</b>		<b>N.T.S.</b>	
TITLE <b>CBM7W2M20GEO</b>		DATE <b>4-15-03</b>		DRAWING NUMBER <b>SK4988</b>	
ANGULAR TOL. $\pm 5^\circ$		REV. <b>NC</b>		APPROVED BY <b>M. ENEA</b>	