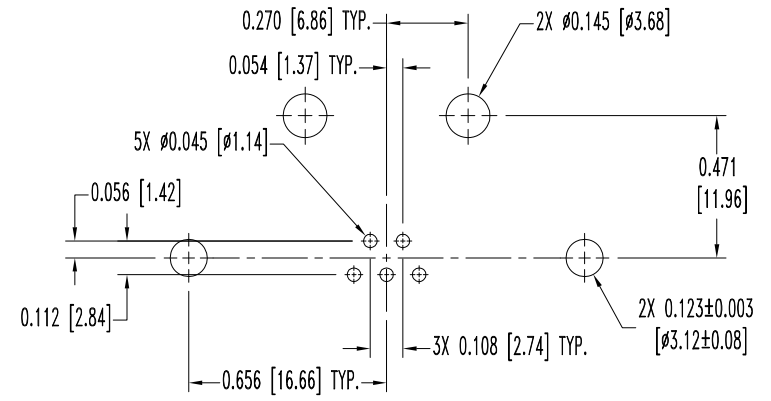
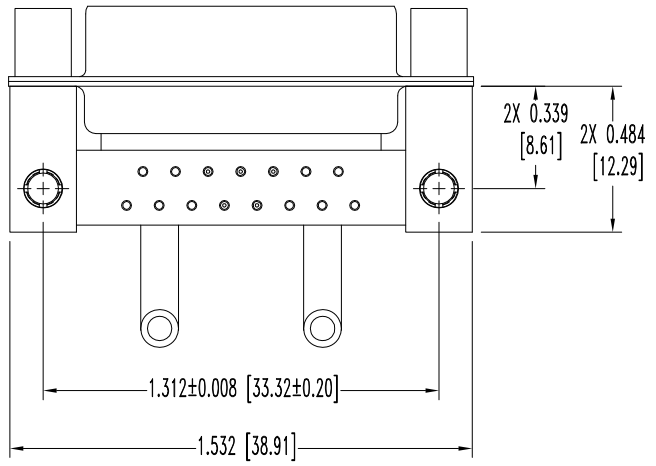
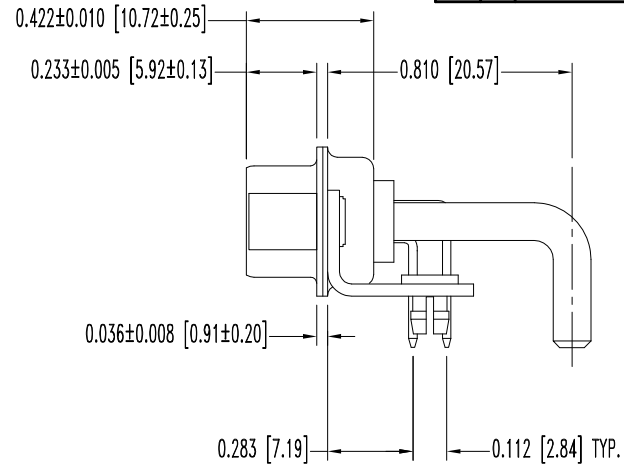
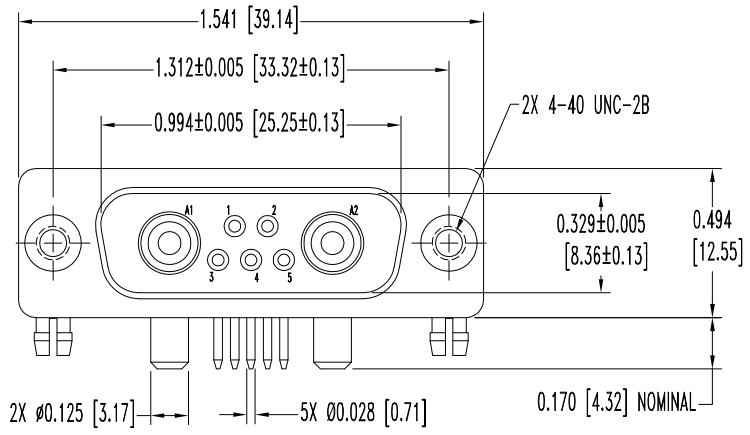


THIS DRAWING CONTAINS INFORMATION PROPRIETARY TO POSITRONIC AND ITS SUBSIDIARIES. POSITRONIC BELIEVES THE DATA ON THIS DRAWING TO BE RELIABLE. SINCE THE TECHNICAL INFORMATION IS GIVEN FREE OF CHARGE, THE USER EMPLOYS SUCH INFORMATION AT HIS OWN DISCRETION AND RISK. POSITRONIC ASSUMES NO RESPONSIBILITY FOR RESULTS OBTAINED OR DAMAGES INCURRED FROM USE OF SUCH INFORMATION IN WHOLE OR IN PART.

DATE	REV	REVISION RECORD	APP	DR	CK
4-1-05	NC	ECO 23882	RW	YK	COLE
3-23-10	A	ECO 32270	COLE	BE	COLE



CONTACT HOLE PATTERN

- NOTES:
- MATERIALS AND FINISHES:
 - INSULATOR: GLASS FILLED POLYESTER PER ASTM D5927, UL 94V-0, BLUE COLOR.
 - SIGNAL CONTACTS: PRECISION MACHINED BRASS ALLOY, GOLD FLASH OVER NICKEL.
 - POWER CONTACTS: MACHINED OF HIGH CONDUCTIVITY COPPER ALLOY, GOLD FLASH OVER NICKEL.
 - SHELLS: STEEL, TIN PLATE.
 - JACKSCREWS: BRASS, ZINC PLATE WITH DICHROMATE SEAL.
 - MOUNTING BRACKETS: BRASS, TIN PLATE.
 - PUSH-ON FASTENERS: BERYLLIUM COPPER, TIN PLATE.
 - ALIGNMENT BAR: GLASS FILLED NYLON, COLOR BLACK.
 - DETAILED PRODUCT, ELECTRICAL, AND MECHANICAL INFORMATION IS AVAILABLE IN THE LATEST STANDARD DENSITY COMBO-D PRODUCT PUBLICATION. VISIT CONNECTPOSITRONIC.COM/PRODUCTS/1/STANDARD DENSITY COMBO-D OR CONNECTPOSITRONIC.COM.
 - DIMENSIONS ARE IN INCHES [MILLIMETERS].

	POSITRONIC INDUSTRIES INC. www.connectpositronic.com		FSCM 28198
	DECIMAL TOL. ± 0.015 [0.38]	CBM SERIES	SCALE N.T.S.
	TITLE CBM7W2M57R2NOX		
ANGULAR TOL. ± 5°	DATE 4-1-05	DRAWING NUMBER SK6104	REV. A