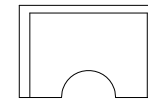
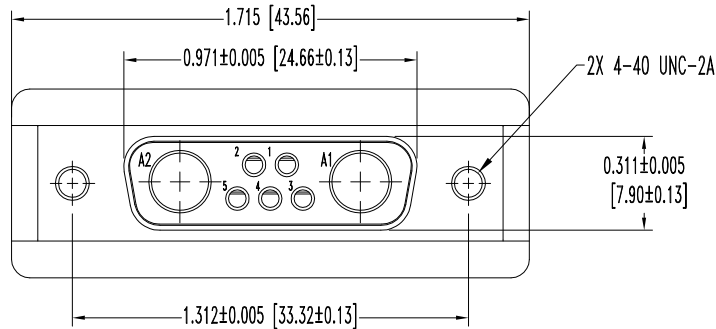
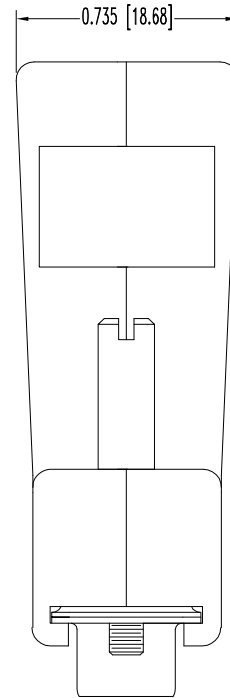
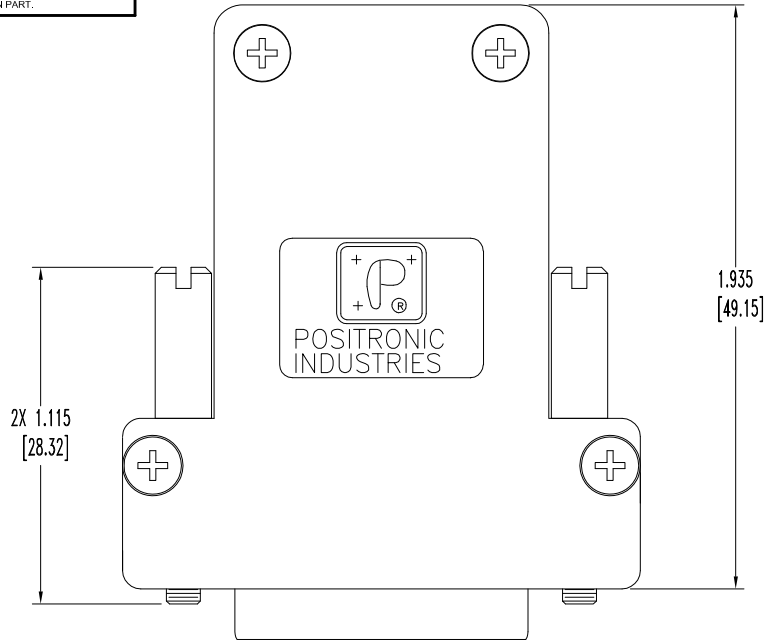


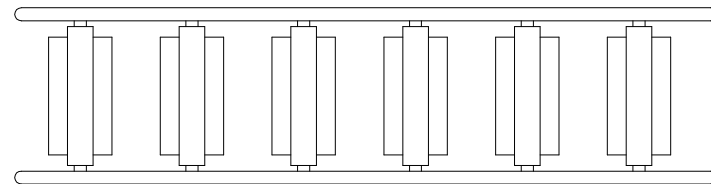
SK10760

THIS DRAWING CONTAINS INFORMATION PROPRIETARY TO POSITRONIC AND ITS SUBSIDIARIES. POSITRONIC BELIEVES THE DATA ON THIS DRAWING TO BE RELIABLE, SINCE THE TECHNICAL INFORMATION IS GIVEN FREE OF CHARGE, THE USER EMPLOYS SUCH INFORMATION AT HIS OWN DISCRETION AND RISK. POSITRONIC ASSUMES NO RESPONSIBILITY FOR RESULTS OBTAINED OR DAMAGES INCURRED FROM USE OF SUCH INFORMATION IN WHOLE OR IN PART.

DATE	REV	REVISION RECORD	APP	DR	CK
8-05-09	NC	ECO 31056	RCW	BS	TK



TYPICAL INSERT



INSERT TREE ASSEMBLY

NOTES:

- MATERIALS AND FINISHES:
 INSULATOR: GLASS FILLED POLYESTER PER MIL-M-24519 UL94V-0, BLUE COLOR.
 CONTACTS: COPPER ALLOY WITH BERYLLIUM COPPER CLIP, 0.000050 [1.27μ] GOLD OVER NICKEL.
 HOOD: COMPOSITE, CONDUCTIVE VOLUME RESISTIVITY [1.0 ohm-cm max.]
 ATTENUATION: 40+ DECIBELS.
 SHELLS: STEEL, ZINC PLATE WITH DICHROMATE SEAL.
 JACKSCREWS: STEEL, ZINC PLATE.
- ELECTRICAL CHARACTERISTICS:
 CONTACT CURRENT RATING: 7.5 AMPERES NOMINAL.
 INITIAL CONTACT RESISTANCE: 0.008 OHMS MAXIMUM.
 INSULATOR RESISTANCE: 5 G OHMS.
 WORKING VOLTAGE: 300 V r.m.s.
- TEMPERATURE RANGE: -55°C TO +125°C,
- DIMENSIONS ARE IN INCHES [MILLIMETERS].

	POSITRONIC INDUSTRIES INC. www.connectpositronic.com		FSCM 28198
	DECIMAL TOL. ± 0.015 [0.38]	CBM SERIES	SCALE N.T.S.
ANGULAR TOL. ± 5°	TITLE CBM7W2S20Z00		
	DATE 8-05-09	DRAWING NUMBER SK10760	REV. NC
	APPROVED BY R WILLIAMS		