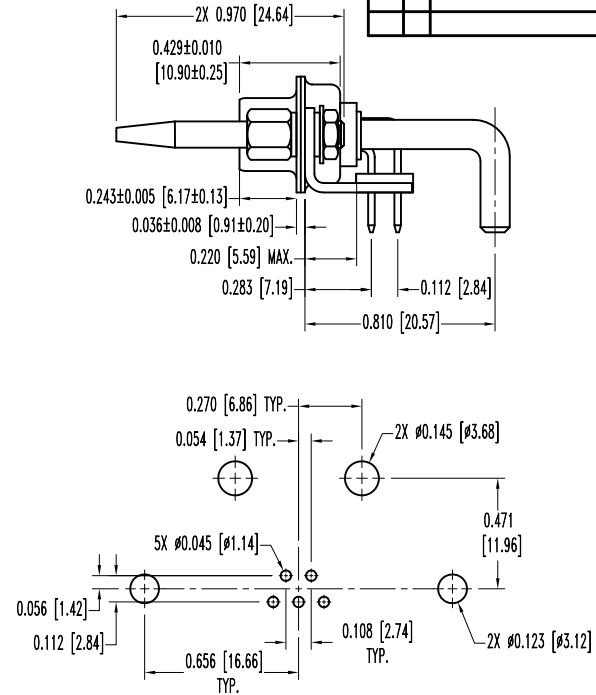
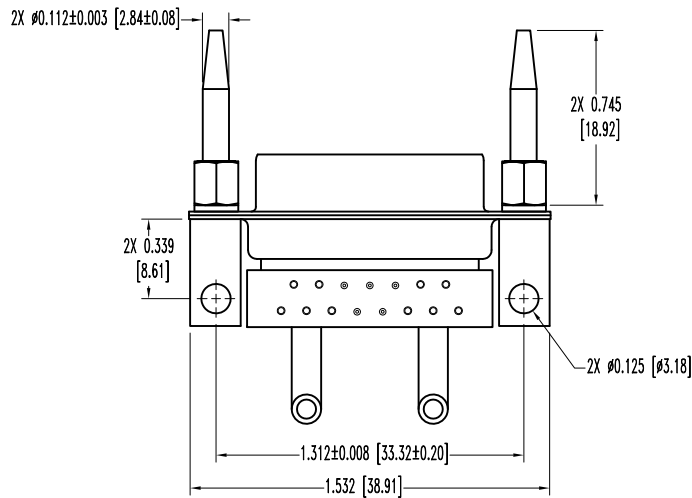
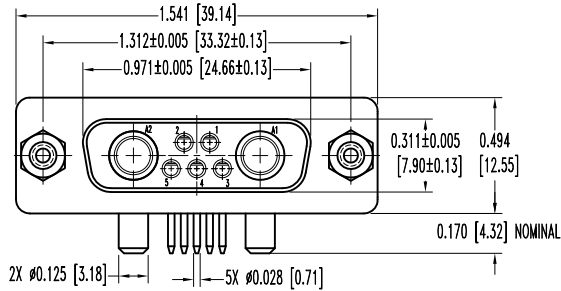


SK11925

THIS DRAWING CONTAINS INFORMATION PROPRIETARY TO POSITRONIC AND ITS SUBSIDIARIES. POSITRONIC BELIEVES THE DATA ON THIS DRAWING TO BE RELIABLE. SINCE THE TECHNICAL INFORMATION IS GIVEN FREE OF CHARGE, THE USER EMPLOYS SUCH INFORMATION AT HIS OWN DISCRETION AND RISK. POSITRONIC ASSUMES NO RESPONSIBILITY FOR RESULTS OBTAINED OR DAMAGES INCURRED FROM USE OF SUCH INFORMATION IN WHOLE OR IN PART.

DATE	REV	REVISION RECORD	APP	DR	CK
11-10	NC	ECO 33283	COLE	ME	COLE



CONTACT HOLE PATTERN

NOTES:

1. MATERIALS AND FINISHES:

- INSULATOR: GLASS FILLED POLYESTER PER ASTM D5927, UL 94V-0, BLUE COLOR.
- CONTACTS: PRECISION MACHINED COPPER ALLOY, GOLD FLASH OVER NICKEL PLATE.
- SHELLS: STEEL, TIN PLATE.
- BLIND MATE GUIDES: STEEL, ZINC PLATED WITH CHROMATE SEAL.
- LOCKWASHERS: BRONZE, TIN PLATE.
- MOUNTING BRACKETS, RIVETS AND HEX NUTS: BRASS, TIN PLATE.
- ALIGNMENT BAR: NYLON, COLOR BLACK.

- 2. THIS MOS ALLOWS FOR CONNECTOR TO BE SUPPLIED WITH BLIND MATE GUIDES.
- 3. CONNECTORS ARE ROHS COMPLIANT PER ROHS DIRECTIVE 2002/95/EC OF 27 JAN 2003.
- 4. DETAILED PRODUCT, ELECTRICAL, AND MECHANICAL INFORMATION IS AVAILABLE IN THE LATEST STANDARD DENSITY COMBO-D PRODUCT PUBLICATION.
VISIT CONNECTPOSITRONIC.COM/PRODUCTS/1/STANDARD DENSITY COMBO-D OR CONNECTPOSITRONIC.COM.
- 5. DIMENSIONS ARE IN INCHES [MILLIMETERS].

	POSITRONIC INDUSTRIES INC. www.connectpositronic.com		FSCM 26198	
		SCALE	DRAWN BY	ME
	CBD SERIES	N.T.S.	APPROVED BY	COLE
	TITLE			
	CBM7W2S57R600X/AA-759.0			
	DATE	DRAWING NUMBER	REV.	
	11-11-10	SK11925	NC	