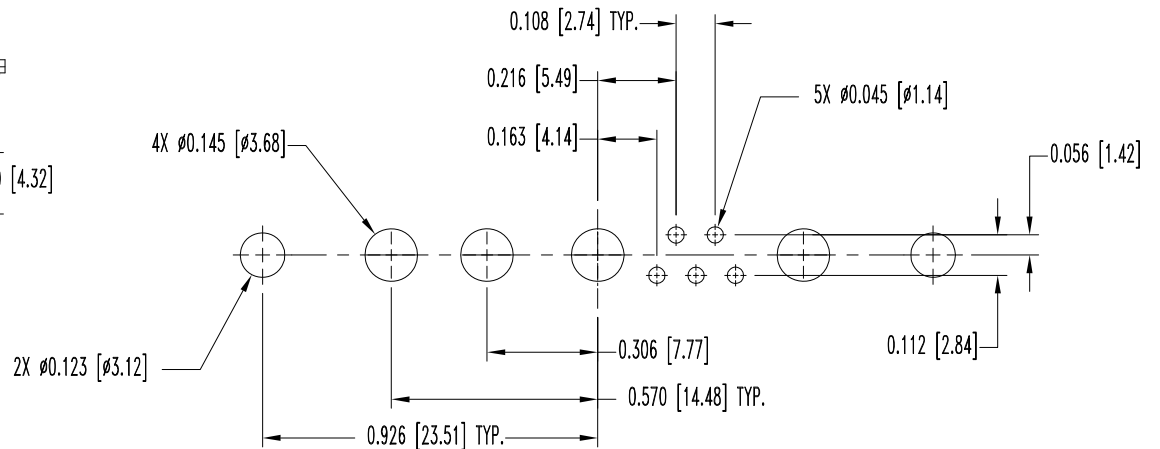
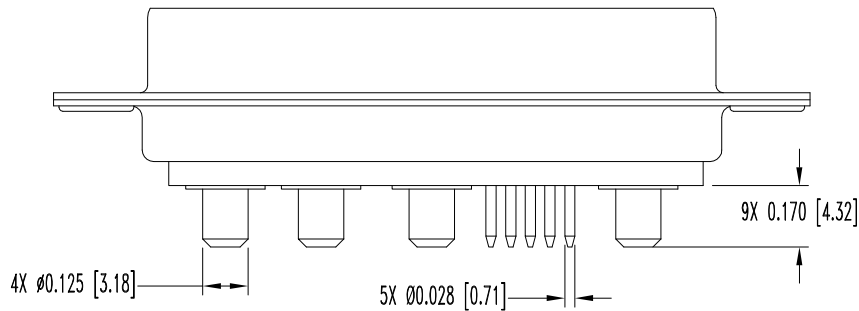
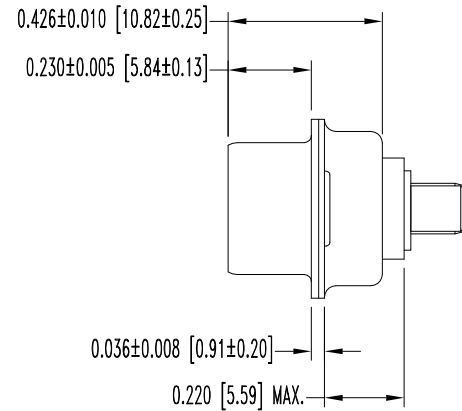
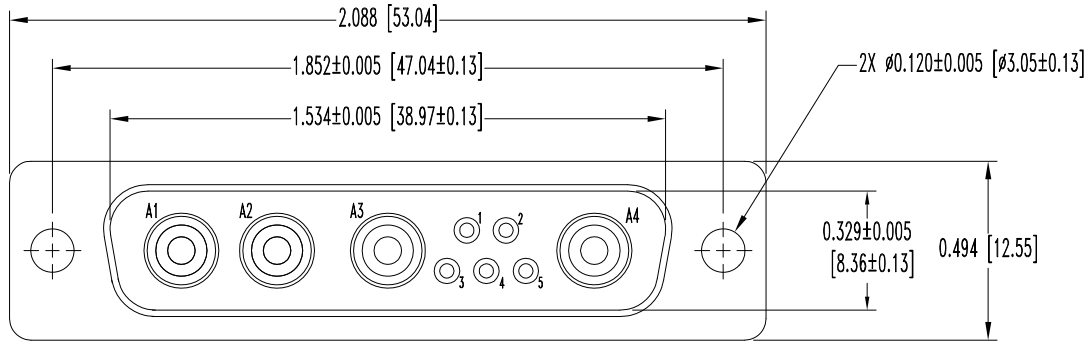


THIS DRAWING CONTAINS INFORMATION PROPRIETARY TO POSITRONIC IND. INC. ANY REPRODUCTION, DISCLOSURE OR USE OF THIS DRAWING IS EXPRESSLY PROHIBITED, EXCEPT AS POSITRONIC IND. INC. MAY OTHERWISE AGREE IN WRITING.


DATE	REV	REVISION RECORD	APP	DR	CK
2-27-09	NC	ECO 30696	RCW	BS	COLE
3-24-10	A	ECO 32285	COLE	BE	SY



CONTACT HOLE PATTERN

NOTES:

- MATERIALS AND FINISHES:
 INSULATOR: GLASS FILLED POLYESTER PER ASTM D5927, UL 94V-0, BLUE COLOR.
 SIGNAL CONTACTS: PRECISION MACHINED BRASS ALLOY, 0.000050 [1.27µ] GOLD OVER NICKEL FINISH.
 POWER CONTACTS: MACHINED OF HIGH CONDUCTIVITY COPPER ALLOY, 0.000050 [1.27µ] GOLD OVER NICKEL.
 SHELLS: STEEL WITH TIN PLATE.
- DETAILED PRODUCT, ELECTRICAL, AND MECHANICAL INFORMATION IS AVAILABLE IN THE LATEST STANDARD DENSITY COMBO-D PRODUCT PUBLICATION.
 VISIT CONNECTPOSITRONIC.COM/PRODUCTS/1/STANDARD DENSITY COMBO-D OR CONNECTPOSITRONIC.COM.
- MOS CALLS FOR POWER CONTACTS TO BE PLATED 0.000050 [1.27µ] GOLD OVER NICKEL.
- DIMENSIONS ARE IN INCHES [MILLIMETERS].

 POSITRONIC INDUSTRIES INC. SPRINGFIELD, MISSOURI 65801		SCALE	DRAWN BY
		N.T.S.	B SHELEDDY
DECIMAL TOL.	CBM SERIES	APPROVED BY	
± 0.015 [0.38]	TITLE	R WILLIAMS	
	CBM9W4M37000X-1062.0		
ANGULAR TOL.	DATE	DRAWING NUMBER	REV.
± 5°	2-27-09	SK10400	A