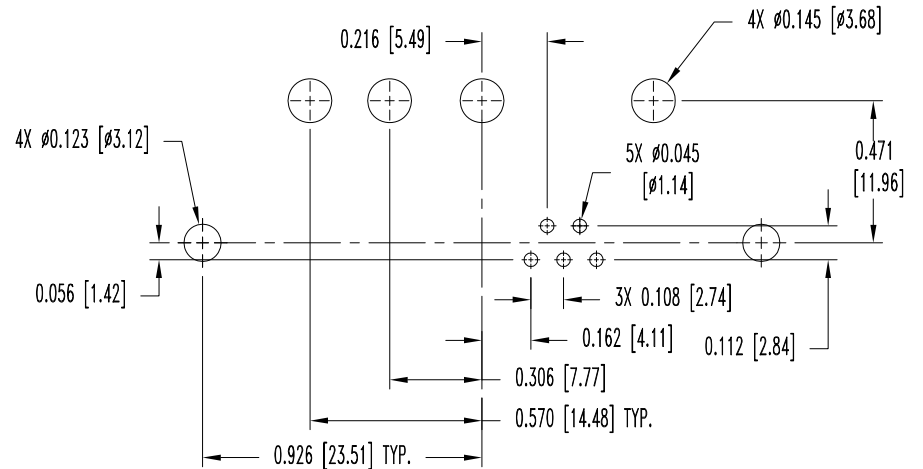
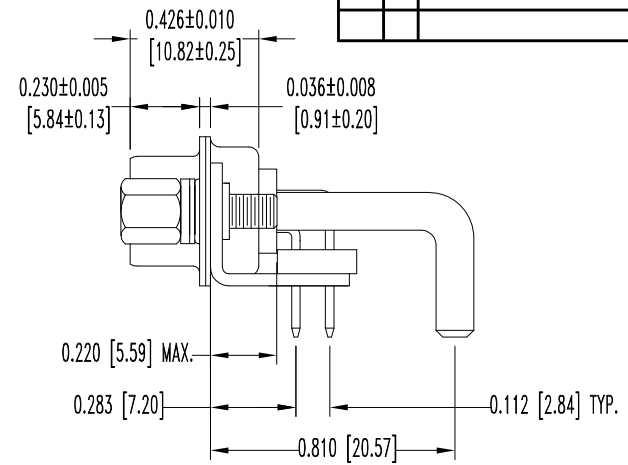
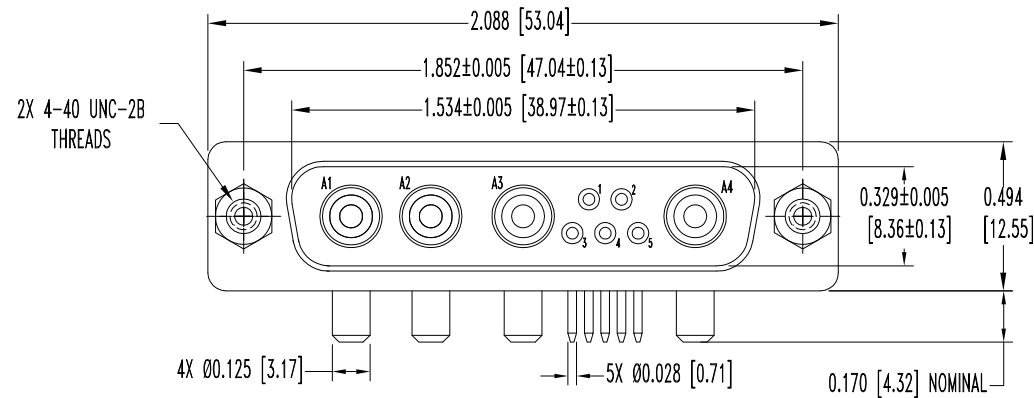


THIS DRAWING CONTAINS INFORMATION PROPRIETARY TO POSITRONIC AND ITS SUBSIDIARIES. POSITRONIC BELIEVES THE DATA ON THIS DRAWING TO BE RELIABLE. SINCE THE TECHNICAL INFORMATION IS GIVEN FREE OF CHARGE, THE USER EMPLOYS SUCH INFORMATION AT HIS OWN DISCRETION AND RISK. POSITRONIC ASSUMES NO RESPONSIBILITY FOR RESULTS OBTAINED OR DAMAGES INCURRED FROM USE OF SUCH INFORMATION IN WHOLE OR IN PART.

DATE	REV	REVISION RECORD	APP	DR	CK
2-20-06	NC	ECO 25522	RW	ME	COLE
3-24-10	A	ECO 32285	COLE	BE	SY



HOLE PATTERN

NOTES:

- MATERIALS AND FINISHES:
 INSULATORS - GLASS FILLED POLYESTER PER ASTM D5927, UL 94V-0, BLUE COLOR.
 SIGNAL CONTACTS - PRECISION MACHINED BRASS ALLOY WITH 0.000050 [1.27µ] GOLD OVER NICKEL PLATE.
 POWER CONTACTS - MACHINED OF HIGH CONDUCTIVITY COPPER ALLOY WITH GOLD FLASH OVER NICKEL PLATE.
 SHELLS - STEEL, ZINC PLATE DICHROMATE SEAL.
 JACKSCREW: STEEL, ZINC PLATE DICHROMATE SEAL.
 MOUNTING BRACKETS: BRASS, ZINC PLATE DICHROMATE SEAL.
- DETAILED PRODUCT, ELECTRICAL, AND MECHANICAL INFORMATION IS AVAILABLE IN THE LATEST STANDARD DENSITY COMBO-D PRODUCT PUBLICATION.
 VISIT CONNECTPOSITRONIC.COM/PRODUCTS/1/STANDARD DENSITY COMBO-D OR CONNECTPOSITRONIC.COM.
- DIMENSIONS ARE IN INCHES [MILLIMETERS].

	POSITRONIC INDUSTRIES INC. www.connectpositronic.com		FSCM 28198
	DECIMAL TOL. ± 0.015 [0.38]	TITLE CBM SERIES	SCALE N.T.S.
ANGULAR TOL. ± 5°	DATE 2-20-06	DRAWING NUMBER SK7064	APPROVED BY RW
CBM9W4M57R70T20			