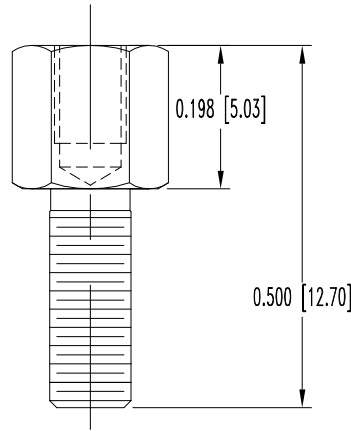


SK2299

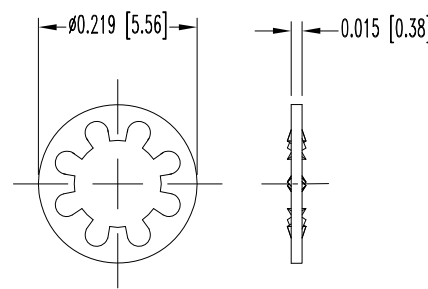
THIS DRAWING CONTAINS INFORMATION PROPRIETARY TO POSITRONIC AND ITS SUBSIDIARIES. POSITRONIC BELIEVES THE DATA ON THIS DRAWING TO BE RELIABLE. SINCE THE TECHNICAL INFORMATION IS GIVEN FREE OF CHARGE, THE USER EMPLOYS SUCH INFORMATION AT HIS OWN DISCRETION AND RISK. POSITRONIC ASSUMES NO RESPONSIBILITY FOR RESULTS OBTAINED OR DAMAGES INCURRED FROM USE OF SUCH INFORMATION IN WHOLE OR IN PART.

DATE	REV	REVISION RECORD	APP	DR	CK
8-1-00	A	ECO 16602	RCW	ME	TK
8-12-09	B	ECO 31414	RCW	BS	TK

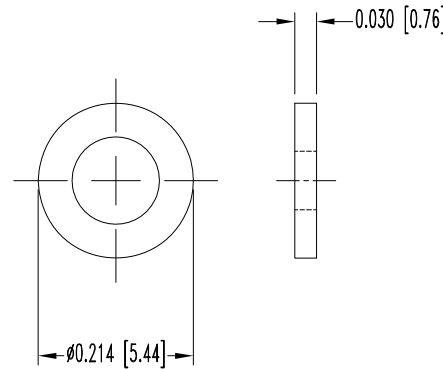
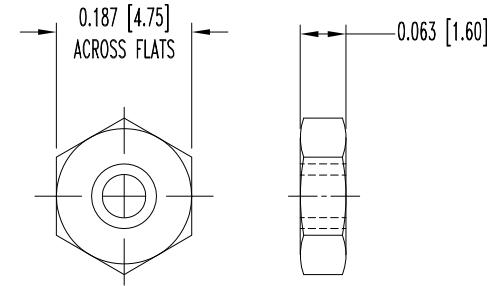


T2 JACKSCREWS

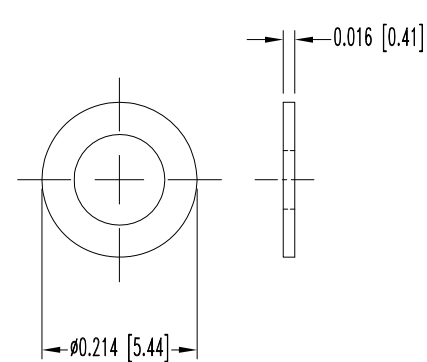
LOCKWASHER



HEX NUT



WASHER



WASHER

NOTES:

- MATERIALS AND FINISHES:
 T2 JACKSCREW-STEEL, ZINC PLATE WITH CHROMATE SEAL.
 WASHERS-STAINLESS STEEL, PASSIVATED.
 HEXNUT AND LOCKWASHER-COPPER ALLOY, ZINC PLATE WITH DICHROMATE SEAL.
- THIS KIT CONSIST OF: 2 JACKSCREWS, 2 LOCKWASHERS, 2 0.030 [0.76] THICK WASHERS, 2 0.016 [0.41] THICK WASHERS, AND 2 HEX NUTS.
- DIMENSIONS ARE IN INCHES (MILLIMETERS).

 POSITRONIC INDUSTRIES INC. www.connectpositronic.com		FSCM 28198	
D SERIES		SCALE N.T.S.	DRAWN BY M.ENEJA
DECIMAL TOL. ± 0.015 (0,38)		APPROVED BY R WILLIAMS	
TITLE D00000T20			
DATE 8-1-00		DRAWING NUMBER SK2299	
ANGULAR TOL. ± 5°		REV. B	