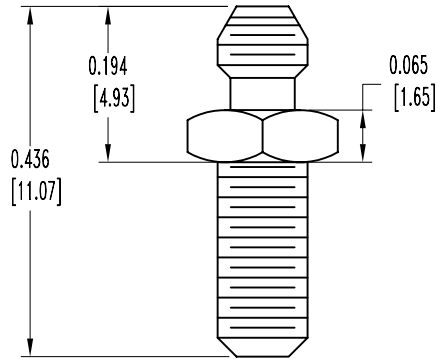


SK5265

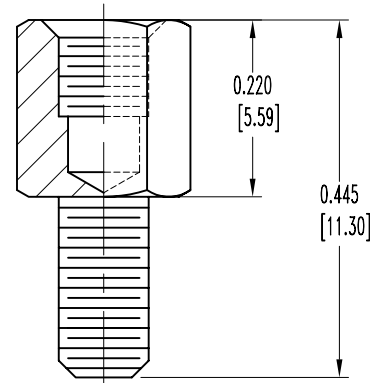
POSITRONIC INDUSTRIES BELIEVES THE DATA ON THIS DRAWING TO BE RELIABLE. SINCE THE TECHNICAL INFORMATION IS GIVEN FREE OF CHARGE, THE USER EMPLOYS SUCH INFORMATION AT HIS OWN DISCRETION AND RISK. POSITRONIC INDUSTRIES ASSUMES NO RESPONSIBILITY FOR RESULTS OBTAINED OR DAMAGES INCURRED FROM USE OF SUCH INFORMATION IN WHOLE OR IN PART.

DATE	REV	REVISION RECORD	APP	DR	CK
12-30-03	NC	ECO 21850		ME	



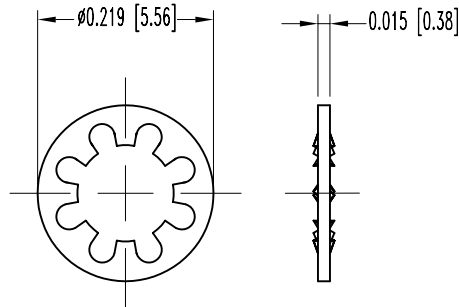
MALE JACKSCREW

1X



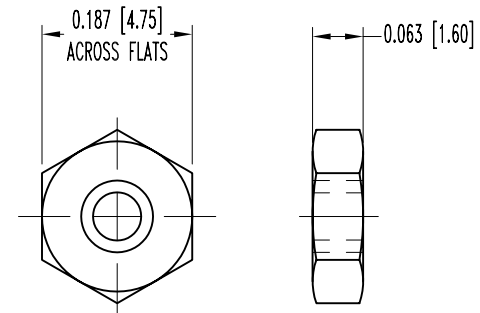
JACKSCREW SOCKET

1X



LOCKWASHER

2X



HEX NUT

2X

NOTES:

- MATERIALS AND FINISHES:
 JACKSCREW SOCKET: HALF HARD BRASS, ZINC PLATE WITH DICHROMATE SEAL.
 JACKSCREW: STEEL, ZINC PLATE WITH DICHROMATE SEAL.
 LOCKWASHERS: ALLOY BRONZE, ZINC PLATE WITH DICHROMATE SEAL.
 HEXNUT: HALF HARD BRASS, ZINC PLATE WITH DICHROMATE SEAL.
- DIMENSIONS ARE IN INCHES [MILLIMETERS].

		POSITRONIC INDUSTRIES INC. www.connectpositronic.com	
		DECIMAL TOL. ± 0.015 [0.38]	DATE 12-30-03
ANGULAR TOL. ± 5°		TITLE D00000T60	
		DRAWING NUMBER SK5265	DRAWN BY M. ENEA
			APPROVED BY
			REV. NC