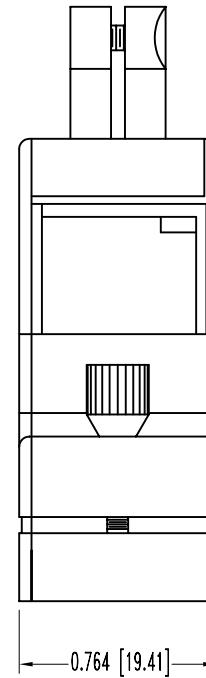
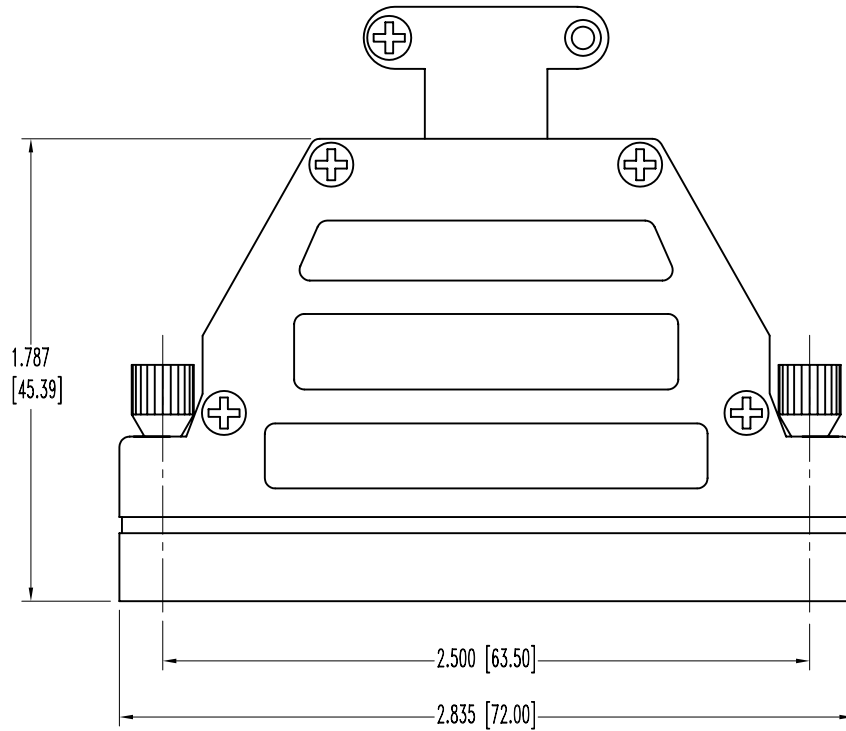


SK5367

POSITRONIC INDUSTRIES BELIEVES THE DATA ON THIS DRAWING TO BE RELIABLE. SINCE THE TECHNICAL INFORMATION IS GIVEN FREE OF CHARGE, THE USER EMPLOYS SUCH INFORMATION AT HIS OWN DISCRETION AND RISK. POSITRONIC INDUSTRIES ASSUMES NO RESPONSIBILITY FOR RESULTS OBTAINED OR DAMAGES INCURRED FROM USE OF SUCH INFORMATION IN WHOLE OR IN PART.

DATE	REV	REVISION RECORD	APP	DR	CK
3-22-04	NC	ECO 22185		ME	



NOTES:

- MATERIALS AND FINISHES:
HOOD: ZINC, DIE CAST.
JACKSCREWS: STEEL, ZINC PLATE WITH DICHROMATE SEAL.
- DIMENSIONS ARE IN INCHES [MILLIMETERS].

	POSITRONIC INDUSTRIES INC. www.connectpositronic.com	
	D SERIES	SCALE N.T.S.
DECIMAL TOL. ± 0.015 [0.38]	DRAWN BY M. ENEA APPROVED BY	
ANGULAR TOL. ± N/A	TITLE D104000GE0	
DATE 3-22-04	DRAWING NUMBER SK5367	REV. NC