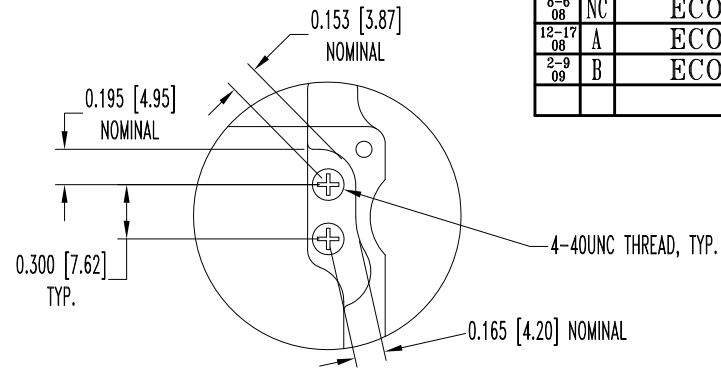
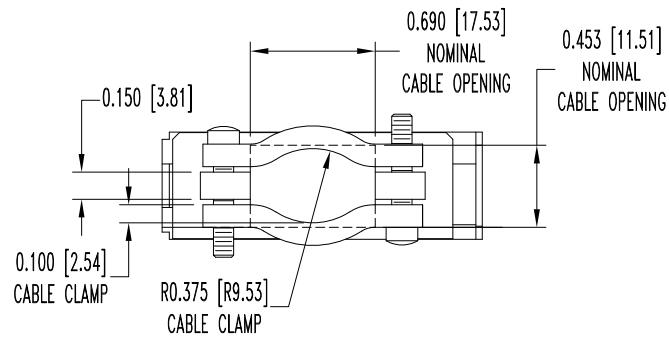


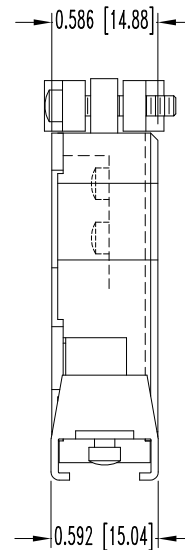
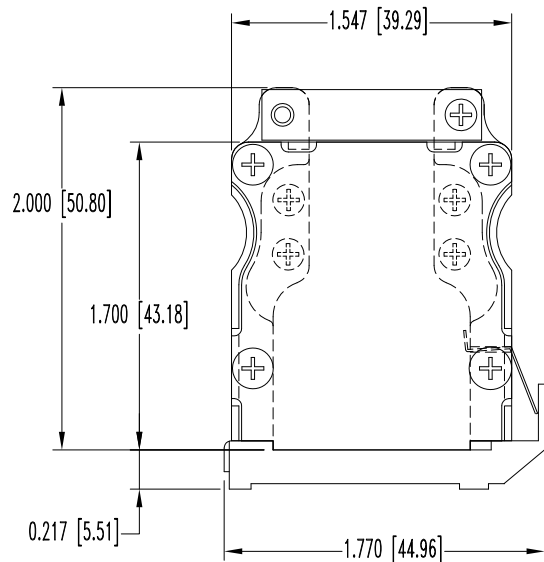
SK9603

THIS DRAWING CONTAINS INFORMATION PROPRIETARY TO POSITRONIC AND ITS SUBSIDIARIES. POSITRONIC BELIEVES THE DATA ON THIS DRAWING TO BE RELIABLE, SINCE THE TECHNICAL INFORMATION IS GIVEN FREE OF CHARGE. THE USER EMPLOYS SUCH INFORMATION AT HIS OWN DISCRETION AND RISK. POSITRONIC ASSUMES NO RESPONSIBILITY FOR RESULTS OBTAINED OR DAMAGES INCURRED FROM USE OF SUCH INFORMATION IN WHOLE OR IN PART.

DATE	REV	REVISION RECORD	APP	DR	CK
8-6-08	NC	ECO 29804	TK	COLE	COLE
12-17-08	A	ECO 30404	RCW	YK	TK
2-9-09	B	ECO 30593	RCW	TH	SDY



INTERNAL GROUNDING SCREWS DETAIL



NOTES:

- MATERIALS AND FINISHES:
 HOOD, COVER AND CABLE CLAMPS: ALUMINUM, ELECTROLESS NICKEL FINISH.
 LOCKARM LEVER: STEEL, NICKEL FINISH.
 LOCKARM SPRING: BERYLLIUM COPPER, NICKEL FINISH.
 SCREWS: STEEL, NICKEL FINISH.
- DIMENSIONS ARE IN INCHES [MILLIMETERS].

	POSITRONIC INDUSTRIES INC. www.connectpositronic.com		FSCM 28198
	DECIMAL TOL. ± 0.015 [0.38]	D SERIES	SCALE N.T.S.
ANGULAR TOL. ± 5°	DATE 8-6-08	DRAWING NUMBER SK9603	REV. B
TITLE D15000ANVLO		APPROVED BY T KEPLEY	