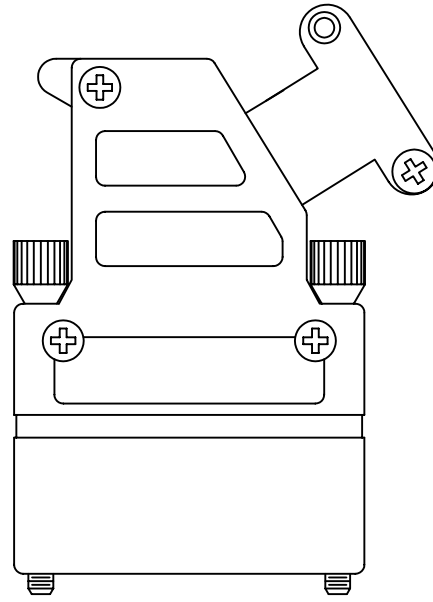


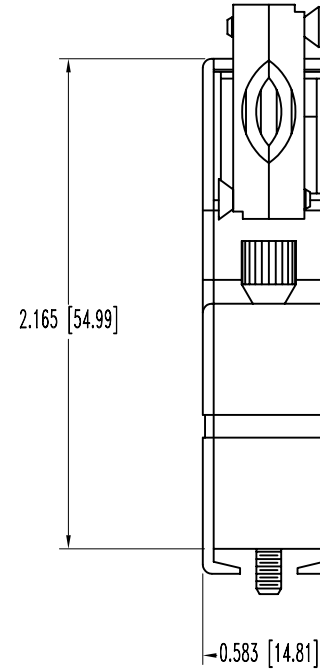
THIS DRAWING CONTAINS INFORMATION PROPRIETARY TO POSITRONIC IND. INC. ANY REPRODUCTION, DISCLOSURE OR USE OF THIS DRAWING IS EXPRESSLY PROHIBITED, EXCEPT AS POSITRONIC IND. INC. MAY OTHERWISE AGREE IN WRITING.

SK6124

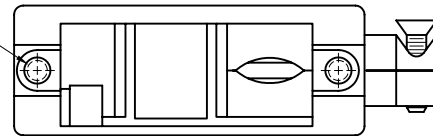
DATE	REV	REVISION RECORD	APP	DR	CK
4-7-05	NC	ECO 23916		YK	



1 [33.30]



2X 4-40 UNC



NOTES:

1. MATERIALS AND FINISHES:
HOOD: ZINC, DIE CAST.

2. MOS 1023.
3. DIMENSIONS ARE IN INCHES [MILLIMETERS].

	POSITRONIC INDUSTRIES INC. SPRINGFIELD, MISSOURI 65801		SCALE	DRAWN BY
	D SERIES		N.T.S.	YK
DECIMAL TOL. ± 0.015 [0.38]	TITLE D15000GE0-1023.5			
ANGULAR TOL. \pm N/A	DATE 4-7-05	DRAWING NUMBER SK6124	REV. NC	