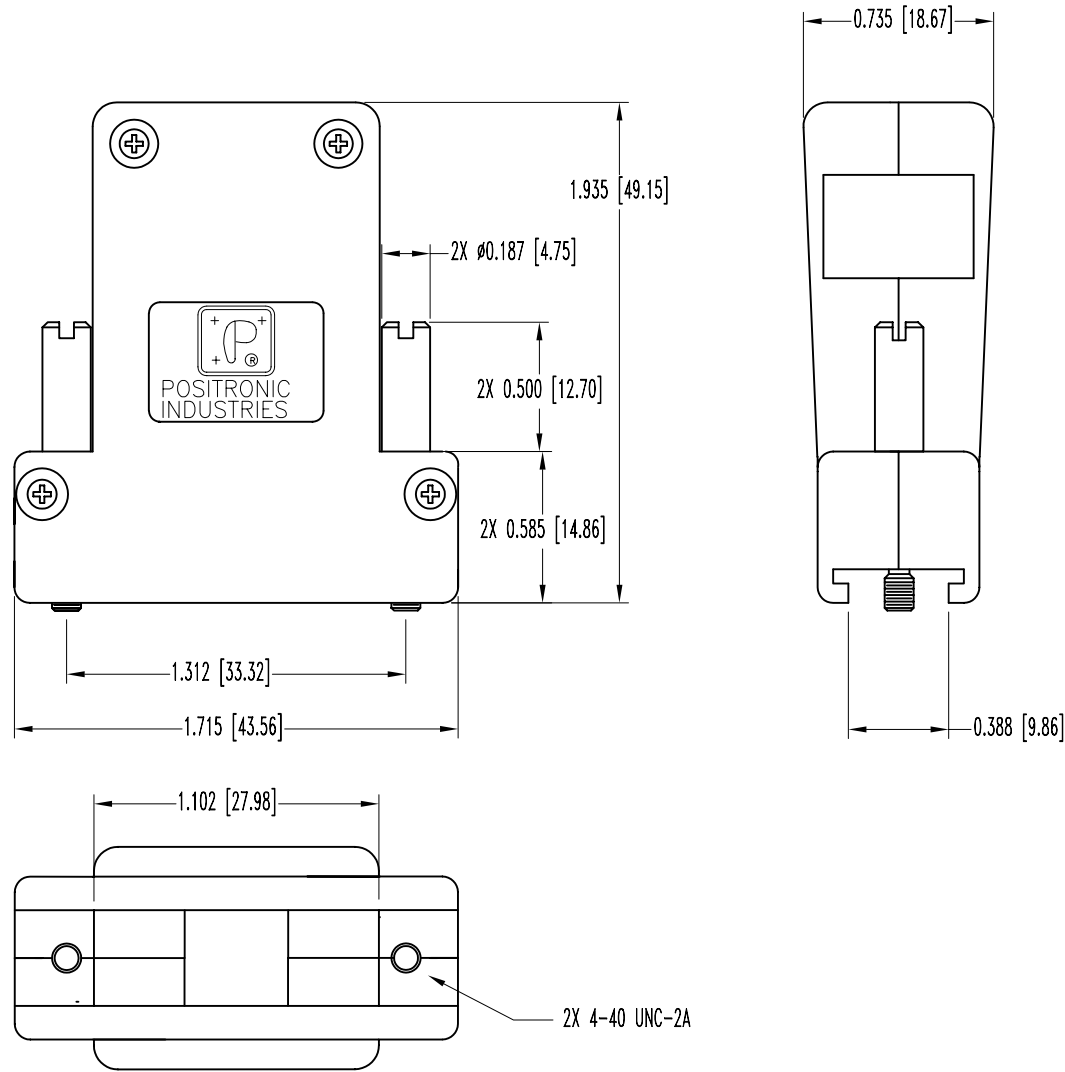


SK3409

POSITRONIC INDUSTRIES BELIEVES THE DATA ON THIS DRAWING TO BE RELIABLE. SINCE THE TECHNICAL INFORMATION IS GIVEN FREE OF CHARGE, THE USER EMPLOYS SUCH INFORMATION AT HIS OWN DISCRETION AND RISK. POSITRONIC INDUSTRIES ASSUMES NO RESPONSIBILITY FOR RESULTS OBTAINED OR DAMAGES INCURRED FROM USE OF SUCH INFORMATION IN WHOLE OR IN PART.

DATE	REV	REVISION RECORD	APP	DR	CK
9-6-00	NC	ECO 16757		YK	



NOTES:

- MATERIAL: HOOD - COMPOSITE, CONDUCTIVE VOLUME RESISTIVITY (1.0 OHM-CM MAX.), UL94V-0.  
ATTENUATION: 40+ DECIBELS.  
JACKSCREWS: STEEL, ZINC PLATED.
- DIMENSIONS ARE IN INCHES [MILLIMETERS].

 <b>POSITRONIC INDUSTRIES INC.</b> SPRINGFIELD, MISSOURI 65801		SCALE <b>N.T.S.</b>		DRAWN BY <b>Y. KELLEYBREW</b> APPROVED BY	
DECIMAL TOL. <b>± 0.015 [0.38]</b>		<b>D SERIES</b>		TITLE <b>D15000Z00</b>	
<b>WF# 3095</b>		DATE <b>9-6-00</b>		DRAWING NUMBER <b>SK3409</b>	
ANGULAR TOL. <b>± 5°</b>		REV. <b>NC</b>			